

USER'S GUIDE



Installer: Please leave this manual with this appliance.

Consumer: Please read and keep this manual for future reference. Keep sales receipt and/or cancelled check as proof of purchase.

Model Number

Serial Number














Date of Purchase

In our continuing effort to improve the quality and performance of our appliances, it may be necessary to make changes to the appliance without revising this guide.

If you have questions, write us (include your model number and phone number) or call:

Maytag ServicesSM
 Attn: CAIR[®] Center
 P.O. Box 2370
 Cleveland, TN 37320-2370
 1-800-688-9900 U.S.A.
 1-800-688-2002 Canada
 1-800-688-2080 (U.S.A. TTY for hearing or speech impaired)
 (Mon.-Fri., 8 a.m.-8 p.m. Eastern Time)
 Internet: <http://www.maytag.com>

For service information, see page 15.

 SAFETY	Page 1
 INSTALLATION	Pages 2-4
 PROPER TEMPERATURES	Page 5
 ICE SERVICE	Page 6
 LOOKING INSIDE	Pages 7-8
 FOOD STORAGE TIPS	Pages 9-10
 STORING THE REFRIGERATOR	Page 11
 CARE & CLEANING	Pages 11-12
 OPERATING SOUNDS	Page 13
 BEFORE YOU CALL	Page 14
 WARRANTY	Page 15
 GUIDE DE L'UTILISATEUR	Page 16
 GUÍA DEL USUARIO	Page 32

IMPORTANT SAFETY INSTRUCTIONS

WHAT YOU NEED TO KNOW ABOUT SAFETY INSTRUCTIONS

Warning and Important Safety Instructions appearing in this manual are not meant to cover all possible conditions and situations that may occur. Common sense, caution and care must be exercised when installing, maintaining or operating this appliance.

Always contact your dealer, distributor, service agent or manufacturer about problems or conditions you do not understand.

RECOGNIZE SAFETY SYMBOLS, WORDS, LABELS

⚠ DANGER

DANGER – Immediate hazards which **WILL** result in severe personal injury or death.

⚠ WARNING

WARNING – Hazards or unsafe practices which **COULD** result in severe personal injury or death.

⚠ CAUTION

CAUTION – Hazards or unsafe practices which **COULD** result in minor personal injury or product or property damage.

⚠ WARNING

➤ **When using your appliance, always follow basic precautions.**

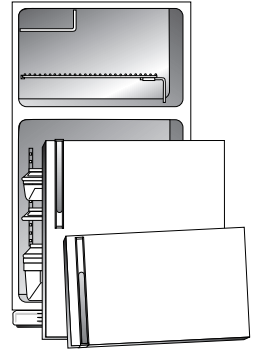
- Use the refrigerator only for its intended purpose.
- To prevent possibility of hazard due to electrical shock, never plug the refrigerator into a receptacle which has not been grounded adequately and in accordance with the local and national electrical codes. See ⚠ warning and the grounding instructions that follow.
- Unplug the refrigerator before cleaning or replacing a light bulb.
- In case of power failure, minimize door openings. If the power failure is of a long duration, protect the food by placing blocks of dry ice on top of the packages or check with a local frozen foods locker about temporary storage. Frozen foods which have thawed completely should not be refrozen.
- Any electrical service cord that becomes frayed or damaged should be immediately repaired or replaced. Never unplug your appliance by pulling on the power cord.
- Your refrigerator should not be operated in the presence of explosive fumes.
- Children should not climb, hang or stand on the shelves of this refrigerator.

IMPORTANT: Child entrapment and suffocation are not problems of the past. Junked or abandoned refrigerators are still dangerous...even if they will sit for “just a

few days.” If you are getting rid of your old refrigerator, please follow the instructions below to help prevent accidents.

➤ Take off the doors.

- Leave the shelves in place so that children may not easily climb inside.

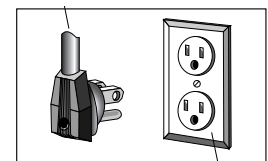


⚠ WARNING

- **This appliance is designed to operate on a normal 115 volt, 15 amp, 60 cycle line. There should be a separate, grounded circuit serving this appliance only. Do not use an extension cord. Do not use any device that will alter the electrical performance of this appliance.**

This appliance is equipped with a three-pronged grounding plug for your protection against possible electrical shock hazards. It must be plugged into a grounding receptacle. Where a standard two-prong wall receptacle is encountered, it is the personal responsibility and obligation of the customer to have it replaced with a properly grounded three-prong wall receptacle. Do not under any circumstances, cut or remove the third (ground) prong from the power cord. Do not use an adapter plug.

POWER SUPPLY CORD WITH 3-PRONG GROUNDING PLUG



GROUNDING TYPE WALL RECEPTACLE

SAVE THESE INSTRUCTIONS FOR FUTURE REFERENCE

INSTALLATION

Your new refrigerator was packed carefully for shipment. Remove and discard shelf packing clips (if used) located just above each shelf where they hook onto the frame. To remove plastic clips wiggle the clips sideways and pull straight out.

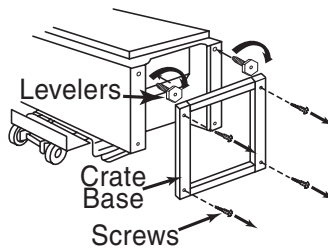
IMPORTANT: Do not remove foam insulation from the vents located in the ceiling of the fresh food compartment.

LOCATION

- Allow for a free flow of air through the front base grille.
- Install the refrigerator where the room temperature will not go below 55° F. With temperatures below 55° F, the refrigerator will not run frequently enough to maintain proper temperature in the freezer.
- Allow a minimum 1/2" clearance on the sides, top and back for ease of installation. If refrigerator is placed with the door hinge side against a wall, you may want to allow additional space or reverse the door swing (see page 4) so the door can be opened wider.
- Use caution when installing the unit on vinyl or hardwood floors so as not to mark or otherwise damage the flooring. A piece of plywood, a rug or other material should be used to protect the floor while positioning the unit.
- Refrigerator should remain upright for at least 30 minutes before plugging in.

UNCRATE

- Remove and retain levelers attached to crate base.
- Remove and discard crate base and screws.
- Using slip joint pliers, install levelers all the way into holes located in the front corners of the cabinet.



LEVELING

To enhance appearance and maintain performance, the refrigerator should be level. Depending on the model, the refrigerator can be leveled in one of two ways.

- All refrigerator models have leveling screws at the base of the cabinet beneath each front corner. Levelers can be adjusted by turning in or out as required. If the floor is not level and it is necessary to raise the rear of the cabinet, use a piece of plywood or other shim material. To lock the cabinet into place, turn down both leveling screws. (See figure 1.)

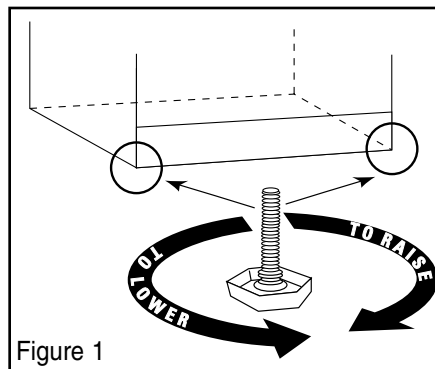


Figure 1

- Refrigerator models that have adjustable wheels can be leveled by removing the base grille* and adjusting the wheels with a 1/4" socket or screwdriver. (See figure 2.)

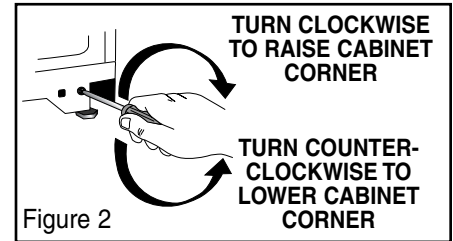
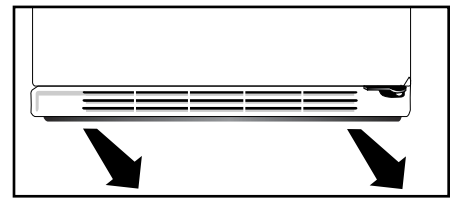


Figure 2

- * To remove the base grille, grasp both ends and pull straight out. To replace, align the spring clips with the round openings in the cabinet and push each end in until the grille locks into place.



- For best results, after leveling the cabinet, open and close the doors, then relevel.

INSTALLATION, CONT.

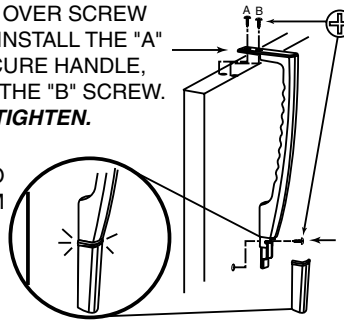
TOP-MOUNT HANDLE

REFRIGERATOR DOOR HANDLE WITHOUT EXTENSION TRIM

1 ALIGN HANDLE OVER SCREW HOLES. FIRST INSTALL THE "A" SCREW TO SECURE HANDLE, FOLLOWED BY THE "B" SCREW. **DO NOT OVER TIGHTEN.**

NO. 2 PHILLIPS SCREW DRIVER IS REQUIRED FOR INSTALLATION.

3 SNAP EXTENSION INTO PLACE AT THE BOTTOM OF THE HANDLE.



2 INSTALL SCREW IN HANDLE HOLE. **DO NOT OVER TIGHTEN.**

TOP MOUNT HANDLE INSTALLATION INSTRUCTIONS

TOP OF FREEZER DOOR

ALIGN HANDLE OVER SCREW HOLES. FIRST INSTALL THE "A" SCREWS TO SECURE HANDLE, FOLLOWED BY THE "B" SCREWS. **DO NOT OVER TIGHTEN.**

NOTE: ALL HANDLE TIE DOWN SCREW HOLES AT THE TOP AND BOTTOM OF THE DOORS ARE SIZED FOR SELF THREADING SCREWS. **DO NOT** DRILL THEM TO A LARGER SIZE.



NO. 2 PHILLIPS SCREW DRIVER IS REQUIRED FOR INSTALLATION.

REFRIGERATOR DOOR HANDLE WITH EXTENSION TRIM

NO. 2 PHILLIPS SCREW DRIVER IS REQUIRED FOR INSTALLATION.

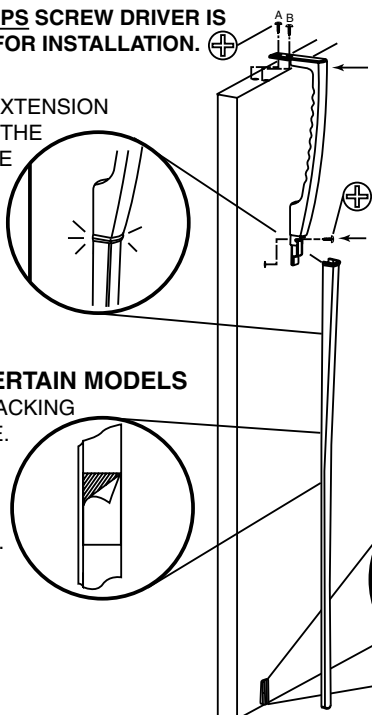
5 SNAP TOP OF EXTENSION INTO PLACE AT THE BOTTOM OF THE HANDLE.

1 ALIGN HANDLE OVER SCREW HOLES. FIRST INSTALL THE "A" SCREW TO SECURE HANDLE, FOLLOWED BY THE "B" SCREW. **DO NOT OVER TIGHTEN.**

2 INSTALL SCREW IN HANDLE HOLE. **DO NOT OVER TIGHTEN.**

4 ON CERTAIN MODELS REMOVE BACKING FROM TAPE. **AFTER STEP 5** APPLY PRESSURE.

3 SLIDE HANDLE EXTENSION OVER BRACKET AT BOTTOM OF DOOR.

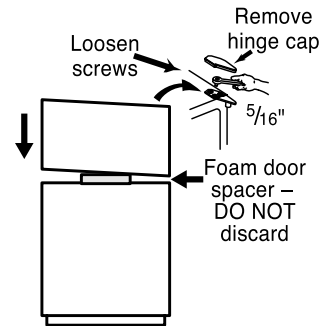


DOOR ADJUSTMENT

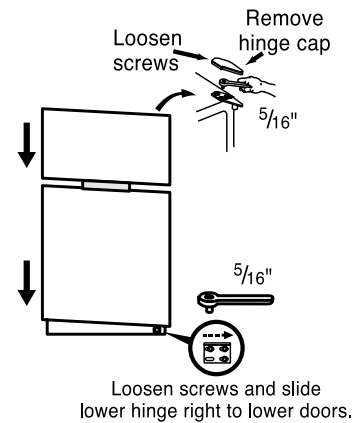
(IF NEEDED)

Door should be level when the cabinet is level.

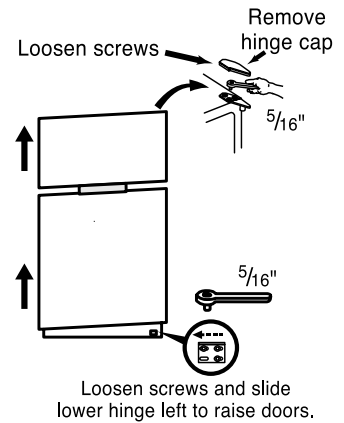
- The freezer door is too high.



- Both doors are too high.



- Both doors are too low.



- Retighten screws after making adjustments.

* Refer to installation instructions for more information.

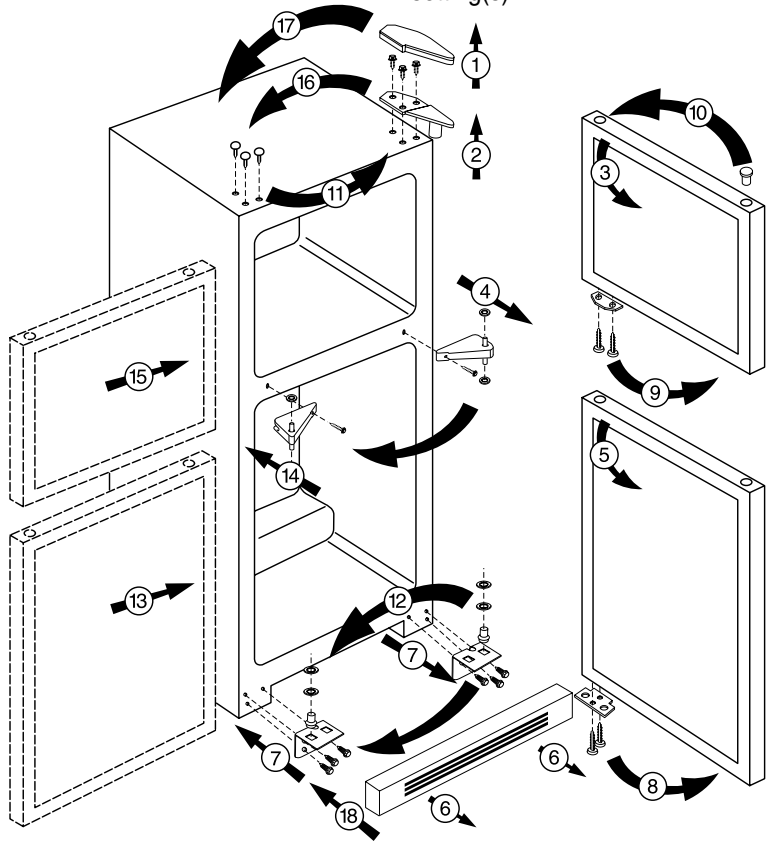
REVERSING DOORS

Tools Required: Phillips screwdriver, 5/16" socket and ratchet, putty knife or 5/16" end wrench.

1. Remove the hinge cap and set aside.
2. Remove screws and hinge with a 5/16" socket wrench and set aside.
3. Carefully lift and remove freezer door.
4. Remove screw and hinge arm from top of the refrigerator door.
5. Carefully lift and remove refrigerator door.
6. Remove grille cover and set aside.
7. Remove hinge plate from lower corner of refrigerator and secure it on the opposite side.
8. Remove the plate from the underside of the refrigerator door and secure it on the opposite side.
9. Remove the plate from the underside of the freezer door and secure it on the opposite side.

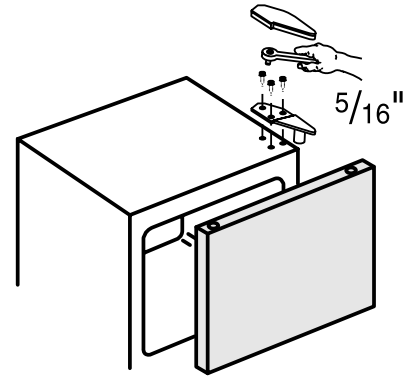
10. Remove the plug buttons from tops of freezer and refrigerator doors and replace them on the opposite side.
11. Remove screw hole plugs from top of cabinet and replace on the opposite side.
12. Remove washers and stem from the inside of the hinge plate and place them on the outside of the hinge plate.
13. Carefully replace refrigerator door on the hinge plate in lower corner.
14. Slide the hinge arm into place and secure with screw.
15. Carefully place freezer door on top of hinge arm use foam door spacer to set gap.*
16. Slide top hinge into place on freezer door and secure screws with 5/16" wrench.
17. Snap hinge cap securely in place.
18. Replace grille cover.

Remember to plug in your refrigerator and reset the controls to the appropriate setting(s).

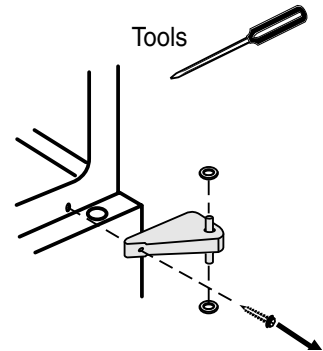


REMOVING DOORS

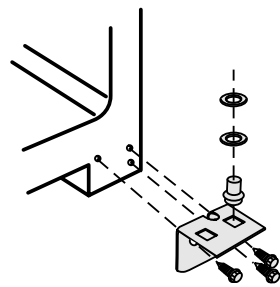
(IF NEEDED)



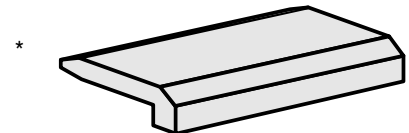
Rest door on a non-scratching surface.



- A. Remove left screw.
- B. Open door and lift. Rest door on a non-scratching surface.



Remove hinge plate assembly. Rest door on a non-scratching surface.



Do not discard the foam door spacer. Doors may settle with use.

SETTING AND MAINTAINING PROPER TEMPERATURES

Your refrigerator has Maytag's Dual Cool™ freshness design to control fresh and frozen food temperatures. The controls are located at the top front of the refrigerator compartment. The freezer control turns the cooling system on.



INITIAL DUAL COOL™ CONTROL SETTINGS

After plugging the refrigerator in, set the controls.

- To adjust the controls, move the slide to the left or right as desired.
- The refrigerator control has settings from 1 (warmest) to 9 (coldest). Initially set this control on 5.
- The freezer control has settings from 1 (warmest) to 9 (coldest). Initially set this control on 5.
- Let the refrigerator run at least 8-12 hours before adding food.

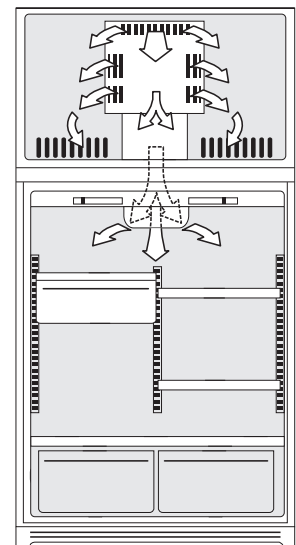
ADJUSTING THE DUAL COOL™ CONTROLS

- 24 hours after adding food, you may decide that one or both compartments should be colder or warmer. If so, adjust the control(s) as indicated in the table below.
- Except when starting the refrigerator, do not change either control more than one number at a time.
- Allow 24 hours for temperatures to stabilize before resetting.
- Changing either control will have some effect on the temperature of the other compartment.

ENSURE PROPER AIR CIRCULATION

In order to ensure proper temperatures, you need to permit air flow between the refrigerator and freezer sections. As shown in the illustration.

DO NOT block any of these vents with food packages. If the vents are blocked, airflow will be prevented and temperature and moisture problems may occur.



WARM CABINET SURFACES

At times, the front of the refrigerator cabinet may be warm to the touch. This is a normal occurrence that helps prevent moisture from condensing on the cabinet. This condition will be more noticeable when you first start the refrigerator, during hot weather and after excessive or lengthy door openings.

TEMPERATURE CONTROL GUIDE

Refrigerator too warm	Slide the refrigerator control to next higher number.
Refrigerator too cold	Slide the refrigerator control to next lower number.
Freezer too warm	Slide the freezer control to next higher number.
Freezer too cold	Slide the freezer control to next lower number.
Turn refrigerator OFF	Slide the freezer control to OFF.

NOTE:

- During the automatic defrost cycle, you may notice a red glow/reflection in the vents on the back wall of the freezer compartment and you may hear the sound of water droplets coming into contact with the defrost heater. This is normal during the defrost cycle.

NOTE: Sliding the freezer control to OFF stops cooling in both compartments. It does not shut off power to the refrigerator.

ICE SERVICE

ICE CUBE TRAYS

Some models are equipped with ice cube trays and an ice storage bin. To release the ice cubes from a tray, hold the tray upside down over the bin and twist both ends.

Depending on the model you have chosen, the ice bin either slides into rails under an ice cube tray rack or stacks neatly on top of the ice cube trays.

AUTOMATIC ICE MAKER (OPTIONAL)

NOTE:

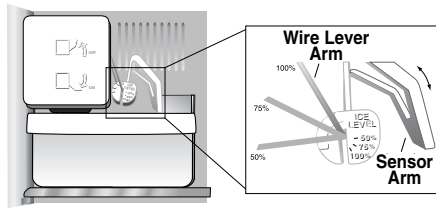
- Energy rating guides that are posted on the refrigerator at the time of purchase do not include optional ice maker energy usage.

Some models are automatic ice maker ready. The number of the appropriate ice maker kit needed for installation into these models appears on the data plate. The kit contains installation instructions and water connection instructions.

Other models have a factory installed ice maker. Connect the ice maker to the water supply as instructed in the separate instructions furnished with the refrigerator. **Proper water flow and a level refrigerator is essential for optimal ice maker performance.**

After your refrigerator has been connected to the water supply, move the sensor arm into the down position. The ice maker will fill with water when the freezer reaches the proper temperature.

Some ice makers are equipped with an adjustable sensor arm that allows you to adjust the amount of ice in your ice storage tray for times when less ice is needed.



To adjust the amount of ice produced:

(select models) Rotate the wire lever arm to provide the desired level of ice production. The 100% setting provides maximum ice production.

- It may be 8 to 12 hours before the ice maker furnishes any usable ice cubes. The first one or two batches will probably contain undersized and irregular cubes because of air in the supply line.
- The initial batch may also contain impurities from the new water supply piping. Therefore, all cubes from the first two or three batches should be discarded.
- When the ice cubes are ejected it is normal for several cubes to be joined together at the ends. They can easily be broken apart. The ice maker will continue to make ice until the supply of ice cubes raises the sensor arm, shutting the ice maker off.
- Certain sounds may accompany the various cycles of the ice maker. The motor may have a slight hum, the cubes will rattle as they fall into an empty storage pan and the water valve may click or “buzz” occasionally.
- If the ice is not used frequently, the ice cubes will become cloudy, shrink, stick together and taste stale. Empty the ice storage bin periodically and wash it in lukewarm water. Be sure to dry the bin before replacing it.

- To remove the ice bin, pull it forward, away from the ice maker. To avoid the ice maker dumping ice while the bin is removed, turn the ice maker off by lifting the sensor arm.
- To replace the ice bin, reverse the above procedure. Turn the ice maker on by lowering the sensor arm.
- Beverage and foods should **not** be placed in the ice storage bin for quick chilling. These items can block the sensor arm, causing the ice maker to malfunction.
- Turn off (arm up) the ice maker when the water supply is to be shut off for several hours.

⚠ WARNING

FOR YOUR SAFETY

Do not place fingers or hands on the automatic ice making mechanism while the refrigerator is plugged in. This will help protect you from possible injury. It will also prevent interference with moving parts of the ejector mechanism and the heating element that releases the cubes.

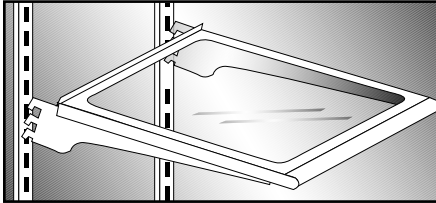
Under certain rare circumstances, ice cubes may be discolored, usually appearing with a greenish hue. The cause of this unusual discoloration can be a combination of factors such as certain characteristics of local waters, household plumbing and the accumulation of copper salts in an inactive water supply line which feeds the ice maker.

Continued consumption of such discolored ice cubes may be injurious to health. If such discoloration is observed, discard the ice cubes and contact your dealer to purchase and install a water line filter.

LOOKING INSIDE

SHELVES

Your refrigerator has either **Spill-Catcher™** or **Tempered Glass Shelves**. The Spill-Catcher™ shelves have a spill retainer edge which allows for easier clean up, and some are equipped with the **Easy Glide** slide out feature.



To slide out (select models), grasp the front of the shelf and pull forward. Push in the shelf to return to the original position.

To remove a shelf, slightly lift up the rear of the shelf and pull the shelf straight out

To lock the shelf into another position, tilt up the front edge of the shelf. Insert the hooks into the desired frame openings and let the shelf settle into place, being sure the shelf is securely locked at the rear.

⚠ WARNING

- Never attempt to adjust a shelf that is loaded with food (except in the case of the Elevator™ Shelf).

ELEVATOR™ SHELF

The fresh food compartment may also be equipped with an **Elevator™ Shelf**. This shelf has a spill retainer edge for easy cleanup. It also has the convenient slide out feature that allows easy access to items stored at the rear of the shelf.

This shelf can be adjusted up or down without having to be unloaded of its contents. To adjust an Elevator™ Shelf, pull out the knob on the crank handle. Rotate the crank clockwise to raise the height of the shelf, and counterclockwise to lower the height of the shelf.

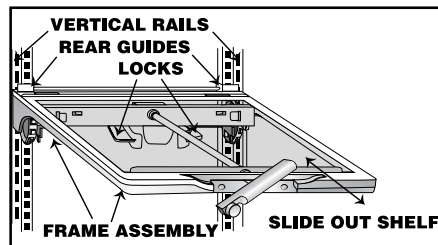
To remove the Elevator™ shelf for occasional cleaning, completely unload the shelf and pull the shelf forward. When the shelf stops, press up on the tabs located underneath its outside edges, then continue pulling forward, clear of the frame.

To reinstall, align the shelf to the frame and push it all the way back. (There is no need to depress the tabs for reinstallation).

In ordinary use, the Elevator™ shelf with the frame assembly does NOT require removal. Though unlikely, and not recommended, the correct removal procedure is as follows:

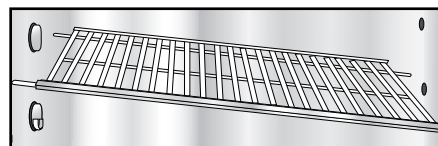
Unload the shelf completely, raise the shelf to its highest possible position. While supporting the shelf and frame from the front, press both locks inward. Lift slightly and tilt the frame assembly to allow the rear guides to clear the vertical rails.

To reinstall, tilt the frame assembly while depressing both locks, reposition the rear guide behind the vertical rails. When the shelf is level, release the locks allowing the shelf to latch in the correct position.



ADJUSTABLE FREEZER SHELF (select models)

To remove the shelf, lift the left end up about 3 inches; pull the right end bars out of the side wall cups. To replace the shelf, reposition the removable support plugs on the left side wall to the desired level and reverse the removal procedure.

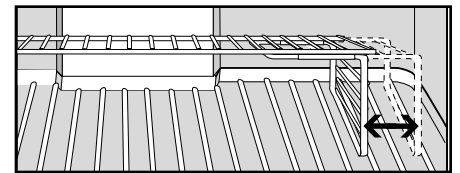


EXPANDABLE-WIDTH FREEZER SHELF

(select models)

The shelf adjusts sideways to open up a full-height space for tall packages, such as pizza. The leg on the right side of the shelf slides to make this adjustment.

The shelf can also adjust to two heights. To adjust the shelf height, remove the shelf from the freezer. Slide the leg out of the channels and reinsert the leg in the alternate height position. Return the shelf to the freezer, inserting the left end into the liner cups.



TWIN EXPANDABLE FREEZER SHELF

(select models)

This feature improves freezer storage organization by adding another shelf. To accommodate varying frozen food loads, the height of the shelves can be adjusted. The lower shelf has expandable width capabilities (as described previously) to create an area for taller items.

DOOR STORAGE

Pick-Off Door Bins (select models) are roomy enough to handle gallon-plus sized containers. They are adjustable and can be easily removed.

To remove, lift the bin front up until it clears the retainers on the door liner then pull the bin straight out

To replace, reverse the above procedure.

Other models are constructed with durable, **Fixed Door Shelves** with the gallon-plus storage capacity.

Some refrigerator and freezer door shelves have **Keepers** to secure bottles and other containers in place when the door is being opened or closed. The keepers are easily adjusted by sliding from side to side.

The **Tall Bottle Retainer** (select models) is designed to prevent tall bottles from tipping forward. It is easily adjusted by sliding from side to side.

RACKS

The **Multi-Can Rack** (select models) suspends from one of the spill-proof refrigerator shelves. It hooks over the wires found in the framework under the shelf. The sloped design allows for cans to roll forward as one is removed. (This rack cannot be positioned under an Elevator™ shelf.)

The **Multi-Use Rack** (select models) provides a place for horizontally storing wine. The rack also can hold canned beverages or an egg carton.

Position the rack to rest on the left hand side of a refrigerator shelf (this rack cannot be positioned on an Elevator™ shelf).

SPECIAL STORAGE AREAS

Your refrigerator has either a **Snack Center Drawer** or an **Adjusti-Temp™ Drawer**.

For models with the **Adjusti-Temp™ Drawer**, a control is located on the shelf front above the drawer. Simply slide the control knob left or right to adjust the internal temperature of the drawer.

- For cheese storage, slide the control to the left. To achieve a lower temperature within the drawer when storing fresh meat, poultry or fish, slide the control to the right.



The **Snack Center** drawer does not have an adjustable temperature capability.

To remove the Snack Center Drawer or Adjusti-Temp Drawer for cleaning:

- pull the drawer out until it stops
- lift the drawer up slightly and pull it out

To replace the drawer, reverse the above procedure.

This drawer can be positioned as desired on either the left or right side of the refrigerator cabinet.

For best results, keep this drawer closed tightly.

The **Crispers** provide storage for fruit and vegetables. There is a humidity control located on the crisper shelf above each of the crisper drawers.

- For fruit storage, slide the crisper control to the left to provide lower humidity conditions in the drawer.
- For vegetable storage, slide the crisper control to the right to provide higher humidity conditions in the drawer.



To remove a crisper drawer for cleaning:

- pull out the crisper until it stops
- tilt the drawer front up and pull it out

To replace a crisper drawer:

- align the drawer in the tracks
- lift the drawer front and slide in

For best results, keep the crispers tightly closed.

To remove the Crisper Top:

- lift the front edge of the shelf
- pull the shelf straight out

To replace the Crisper Top:

- set the rear bars on the support
- push the shelf back until the front edge can be lowered into place

Your refrigerator may come equipped with an **Egg Cradle** (style may vary). It can be removed to be washed or carried to a work area.

To use the **Dairy Compartment**, raise the cover. The dairy compartment may be equipped with a **Keeper** to secure food items in place. If your model has the dairy keeper, simply slide it from side to side for desired placement.

In some models, the dairy compartment can be removed.

The **SafeKeeper** (select models) is a combination pick-off bin and utility drawer. Positioning the lever (located on the top right side of the bin) forward, allows the opening of the drawer. The drawer provides a convenient covered storage area for items such as film, batteries and medicine.

The **Tilt Out Refrigerator Door Bins** (select models) are ideal for storing awkward containers such as liter bottles and bagged items. By tilting the bins outward, space is opened up to conveniently load or retrieve contents.

The **Slide Out Freezer Basket** (select models) is found in the main freezer compartment. It is a convenient storage area, providing easy access to items stored in the rear of the freezer. Slide the basket out to reach or store frozen foods.

To remove the basket:

- pull the basket until it stops
- lift and pull the basket out

To replace the basket, reverse the removal procedure.

The **Drop Down Freezer Basket** (select models) is found on the lower shelf of the freezer door. This area provides space for frozen food items that tend to shift or slide (such as bagged vegetables).

FOOD STORAGE TIPS

FRESH FOOD STORAGE

- The fresh food compartment of a refrigerator should be kept between 34° F and 40° F with an optimum temperature of 37° F. To check the temperature, place an appliance thermometer in a glass of water and place in the center of the refrigerator. Check after 24 hours. If the temperature is above 40° F adjust the controls as explained on page 5.
- Avoid overcrowding the refrigerator shelves. This reduces the circulation of air around the food and results in uneven cooling.

FRUITS AND VEGETABLES

- Storage in the crisper drawers traps moisture to help preserve the fruit and vegetable quality for longer time periods. (Refer to page 8).
- Sort fruits and vegetables before storage and use bruised or soft items first. Discard those showing signs of decay.
- Always wrap odorous foods such as onions and cabbage so the odor does not transfer to other foods.
- While vegetables need a certain amount of moisture to remain fresh, too much moisture can shorten storage times (especially leafy vegetables). Drain vegetables well before storing.

MEAT AND CHEESE

- Raw meat and poultry should be wrapped securely so leakage and contamination of other foods or surfaces does not occur.
- Occasionally mold will develop on the surface of hard cheeses (Swiss, Cheddar, Parmesan). Cut off at least an inch around and below the moldy area. Keep your knife or instrument out of the mold itself. The remaining cheese will be safe and flavorful to eat. Do **NOT** try to save individual cheese slices, soft cheese, cottage cheese, cream, sour cream or yogurt when mold appears.

DAIRY FOOD

- Most dairy foods such as milk, yogurt, sour cream and cottage cheese have freshness dates on their cartons for appropriate length of storage. Store these foods in the original carton and refrigerate immediately after purchasing and after each use.

FROZEN FOOD STORAGE

- The freezer compartment of a refrigerator should be kept at approximately 0° F. To check the temperature, place an appliance thermometer between the frozen packages and check after 24 hours. If the temperature is above 0° F, adjust the control as described on page 5.
- A freezer operates more efficiently when it is at least two-thirds full.

PACKAGING FOODS FOR FREEZING

- To minimize dehydration and quality deterioration use aluminum foil, freezer wrap, freezer bags or airtight containers. Force as much air out of the packages as possible and be sure they are tightly sealed. Trapped air can cause the food to dry out, change color and develop an off-flavor (freezer burn).
- Overwrap fresh meats and poultry with suitable freezer wrap prior to freezing.
- **Do not refreeze meat that has completely thawed.**

LOADING THE FREEZER

- Avoid adding too much warm food to the freezer at one time. This overloads the freezer, slows the rate of freezing and can raise the temperature of frozen foods.
- Leave space between the packages so cold air can circulate freely, allowing food to freeze as quickly as possible.
- Avoid storing hard-to-freeze foods such as ice cream and orange juice on the freezer door shelves. These foods are best stored in the freezer interior where the temperature varies less with door openings.

Refer to the Food Storage Chart on page 10 for approximate storage times.

FOOD STORAGE CHART

(Storage times are approximate and may vary depending on type of packaging, storage temperature, and the quality of the food when purchased.)

Foods	Refrigerator	Freezer	Storage Tips
DAIRY PRODUCTS			
Butter	1 month	6-9 months	Wrap tightly or cover.
Milk & cream	1 week	Not recommended	Check carton date. Close tightly. Don't return unused portions to original container. Don't freeze cream unless whipped.
Cream cheese, cheese spread & cheese food	1-2 weeks	Not recommended	Wrap tightly.
Cottage cheese	3-5 days	Not recommended	Store in original carton. Check carton date.
Sour cream	10 days		
Hard cheese (Swiss, Cheddar & Parmesan)	1-2 months	4-6 months May become crumbly	Wrap tightly. Cut off any mold.
EGGS			
Eggs in the shell	3 weeks	Not recommended	Refrigerate small ends down.
Leftover yolks or whites	2-4 days	9-12 months	For each cup of yolks to be frozen, add 1 tsp. sugar for use in sweet, or 1 tsp. salt for non-sweet dishes.
FRUITS			
Apples	1 month	8 months (cooked)	May also store unripe or hard apples at 60-70° F.
Bananas	2-4 days	6 months (whole/peeled)	Ripen at room temperature before refrigerating. Bananas and avocados darken when refrigerated.
Pears, plums, avocados	3-4 days	Not recommended	
Berries, cherries, apricots	2-3 days	6 months	
Grapes	3-5 days	1 month (whole)	
Citrus fruits	1-2 weeks	Not recommended	May also store at 60-70° F. If refrigerated, store uncovered.
Pineapples, cut	2-3 days	6-12 months	Will not ripen after purchase. Use quickly.
VEGETABLES			
Asparagus	1-2 days	8-10 months	Do not wash before refrigerating. Store in crisper.
Brussels sprouts, broccoli, cauliflower, green peas, lima beans, onions, peppers	3-5 days	8-10 months	Wrap odorous foods. Leave peas in pods.
Cabbage, celery	1-2 weeks	Not recommended	Wrap odorous foods & refrigerate in crisper.
Carrots, parsnips, beets, & turnips	7-10 days	8-10 months	Remove tops. Wrap odorous foods and refrigerate in the crisper.
Lettuce	7-10 days	Not recommended	
POULTRY & FISH			
Chicken and Turkey, whole	1-2 days	12 months	Keep in original packaging for refrigeration. Place in the Meat and Cheese Drawer. When freezing longer than 2 weeks, overwrap with freezer wrap.
Chicken and Turkey, pieces	1-2 days	9 months	
Fish	1-2 days	2-6 months	
MEATS			
Bacon	7 days	1 month	Fresh meats can be kept in original packaging for refrigeration. Place in the Meat and Cheese Drawer. When freezing longer than 2 weeks, overwrap with freezer wrap.
Beef or lamb, ground	1-2 days	3-4 months	
Beef or lamb, roast & steak	3-5 days	6-9 months	
Ham, fully cooked, whole	7 days	1-2 months	
half	5 days	1-2 months	
slices	3 days	1-2 months	
Luncheon meat	3-5 days	1-2 months	
Pork, roast	3-5 days	4-6 months	
Pork, chops	3-5 days	4 months	
Sausage, ground	1-2 days	1-2 months	
Sausage, smoked	7 days	1-2 months	
Unopened, vacuum-packed luncheon meat may be kept up to 2 weeks in the Meat and Cheese Drawer.			
Veal	3-5 days	4-6 months	Processed meats should be tightly wrapped and stored in the Meat and Cheese Drawer.
Frankfurters	7 days	1 month	

Sources: United States Department of Agriculture; Food Marketing Institute; Cooperative Extension Service, Iowa State University

STORING THE REFRIGERATOR

VACATIONS

If you will be gone for a month or less, leave the controls at the usual settings.

During longer absences:

1. Remove all food.
2. Shut off the ice maker (if installed) and the valve where you tapped into the water line to supply the refrigerator.

3. Disconnect the refrigerator from the electrical outlet.
4. Clean and dry the refrigerator thoroughly.
5. Leave the doors open to prevent odors.

MOVING

When moving, follow steps 1–4 under Vacations. In addition, remove and carefully pack any items that are easily removable. Ship the refrigerator in an upright position with the doors taped shut.

CARE AND CLEANING

Refer to the chart on the following page for specific refrigerator cleaning guidelines.

⚠ CAUTION

- Disconnect the power cord before cleaning.

CLEANING UNDER THE REFRIGERATOR

Your refrigerator can be rolled out for cleaning the floor underneath. Raise the leveling screws if engaged (see page 2). Pull the refrigerator straight out from the wall.

REPLACING A LIGHT BULB

⚠ CAUTION

- Disconnect the power cord before replacing light bulb(s). Wear gloves as protection against broken glass.

Always use a standard 40 or 60 watt appliance bulb.

Refrigerator

There are two light bulbs located under the top of the refrigerator compartment, on either side of the Dual Cool™ control housing.

- Carefully grasp the lightbulb by reaching behind the bulb cover.
- Unscrew the light bulb and replace.

Freezer

The freezer light (select models) is located on the back wall, near the upper right corner.

To remove the bulb cover:

- Grasp the top and bottom of the bulb cover. Press in the areas of the attachment tabs, applying enough pressure to unhook the tabs. At the same time, pivot the cover down and remove.
- Unscrew the lightbulb and replace.
- Replace the bulb cover by pivoting it back into place and snapping the tabs into the appropriate slots.

NO CLEAN™ COMMERCIAL-DUTY CONDENSER

A clean condenser means more efficient refrigerator operation. Thanks to the unique design of the No Clean™ condenser there is no longer a need for routine condenser cleaning in normal home usage surroundings.

Some operating environments may be particularly dusty or greasy. In these situations, the condenser can be periodically cleaned to insure maximum efficiency.

ENERGY SAVING TIPS

- Locate the refrigerator away from heat producing appliances such as the range or dishwasher, heat vents and direct sunlight.
- Level the refrigerator and do not block ventilation around the front grille.
- Keep the freezer full to near capacity so less cold air will escape during door openings. When the freezer is less than two-thirds full, place milk cartons half full of water in the freezer.
- Let hot dishes cool slightly before putting into the refrigerator or freezer.
- Cover liquids.
- Wipe moisture from the outside of containers before placing them into the refrigerator.
- Avoid opening the doors too often.

⚠ CAUTION

➤ Disconnect the power cord before cleaning. Do not touch refrigerated surfaces with wet or damp hands. Damp objects stick to cold metal surfaces. Before cleaning the freezer, allow it to warm up. Allow glass shelves to warm up before immersing in warm water.

Refrigerator Cleaning Chart

Refrigerator Exterior

Part	Tips and Precautions	
Base grille	Mild detergent and warm water Mild liquid sprays Vacuum cleaner attachment	Remove the base grille by grasping the ends and pulling straight out. To replace, align the clips with the round openings in the cabinet and push each end in until the base grille snaps into place.
Condenser	Cleaning brush (Part No. 20001017) available from your dealer.	No need for cleaning unless environment is particularly greasy, dusty or there is significant pet traffic in the home (see page 11).
Door handles	Mild detergent and warm water Mild liquid sprays	
Painted metal surfaces: Cabinet, doors	Mild detergent and warm water Mild liquid sprays	Dry with a clean, soft cloth. Do not wipe the refrigerator with a soiled dishwashing cloth or wet towel. These may leave residue that can scratch and weaken the paint. Do not use scouring pads, powdered cleansers, bleach or cleaners containing bleach. These products can scratch and erode the paint finish. Do not wax plastic or vinyl parts.
Stainless steel doors (select models)	Light cleaning: mild detergent and water or a solution of white vinegar and water Moderate soil: Bon Ami* Discolorations: Cameo Stainless Steel Cleaner*	Use a soft cloth or sponge. Always wipe with the grain of the stainless steel. Do not use chlorine bleach or a cleaning product that contains chlorine bleach. After cleaning, rinse and dry. To restore luster and remove streaks follow with Stainless Steel Magic Spray* (Part No. 20000008).

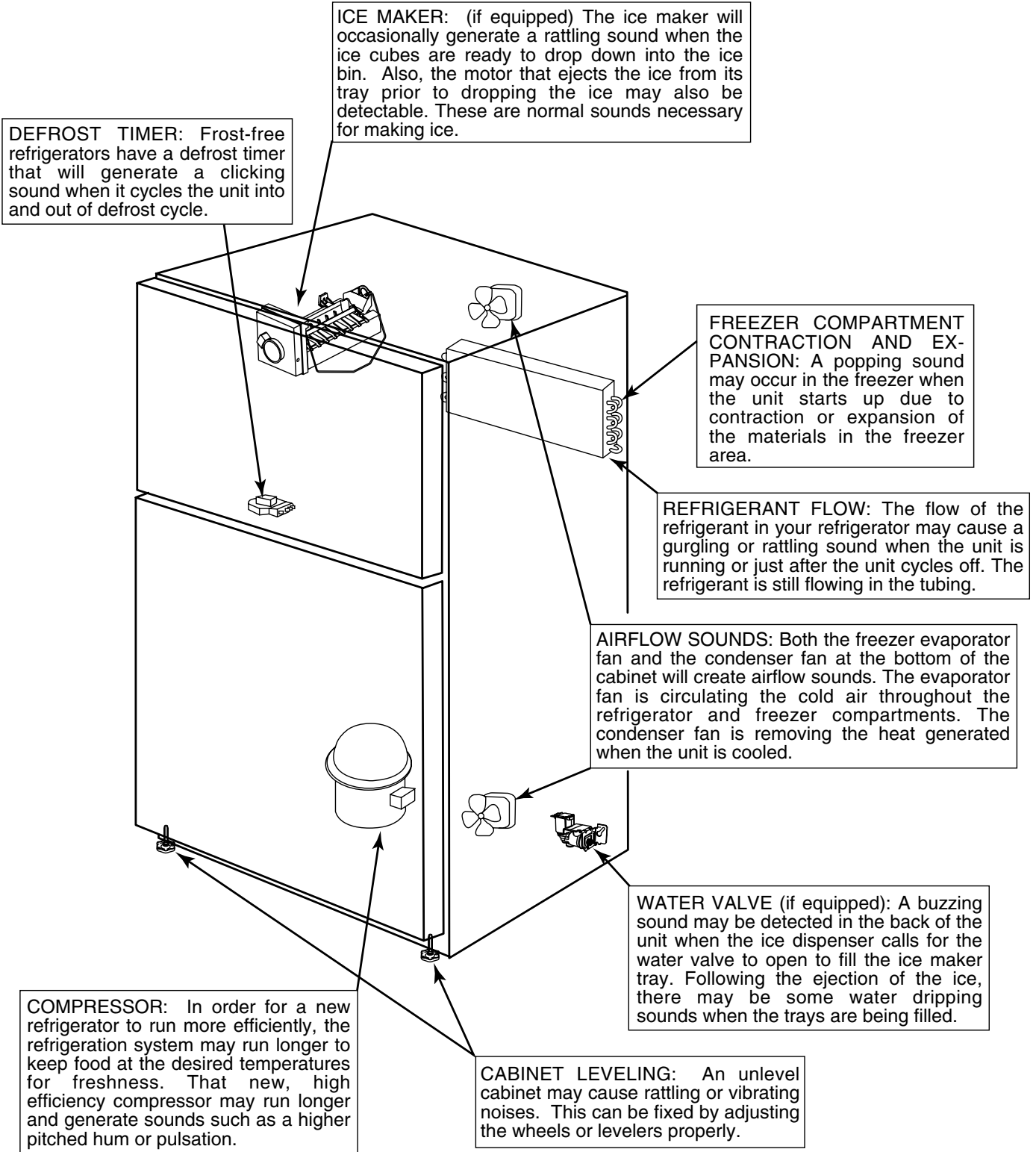
Refrigerator & Freezer Interior

Door gasket	Baking soda and warm water Mild detergent and warm water	Use 1-2 tablespoons baking soda per quart of water. Be sure to wring out excess water from sponge or cloth when cleaning around controls, lights, or electrical parts.
Glass shelves	Mild detergent and warm water Glass cleaner Mild liquid sprays	Allow the glass to warm up to room temperature before immersing in warm water. Never use hot water.
Interior and door liner	Mild detergent and warm water Baking soda and warm water	See above for baking soda solution. DO NOT use abrasive cleaners, concentrated detergents, bleaches, cleaning waxes, solvents or polish cleaners to clean the refrigerator interior.
Drawers, bins, egg cradle, etc.	Mild detergent and warm water	Dry thoroughly. DO NOT wash in automatic dishwasher.

* Brand names are the trademarks of the respective manufacturer

NORMAL OPERATING SOUNDS

Improvements in refrigeration design may produce sounds in your new refrigerator that are different or were not present in an older model. These improvements were made to create a refrigerator that is better at preserving food, is more energy efficient, and is quieter overall. Because new units run quieter, sounds may be detected that were present in older units, but were masked by higher sound levels. Many of these sounds are normal. Please note that the surfaces adjacent to a refrigerator, such as hard walls, floors and cabinetry may make these sounds seem even louder. The following are some of the normal sounds that may be noticed in a new refrigerator.



BEFORE YOU CALL FOR SERVICE

Review this chart of troubleshooting tips first...you may not need to call for service at all.

	PROBLEM	POSSIBLE CAUSES	WHAT TO DO
GENERAL OPERATION	Won't run	Power cord not plugged in.	Push plug into outlet.
		No power to outlet.	Replace fuse, reset circuit breaker.
		Freezer control set to OFF position.	Set freezer control (see page 5).
		Refrigerator is in automatic defrost.	Wait 25 minutes for defrost cycle to end.
		Room temperature less than 55° F.	Relocate unit to proper climate (see installation on page 2).
	Runs too long, too frequently	Today's refrigerators start and stop more often to maintain even temperatures.	
		Normal at startup for new or recently installed units.	Wait 24 hours to completely cool down (see temperature controls on page 5).
		Prolonged or frequent door openings.	This is normal. Minimize door openings.
		Door not sealing.	Check to see if something is preventing door from closing.
		Base grille blocked.	Unblock to allow warm air to exit unit.
Light not working	Bulb burned out.	Unplug refrigerator and change bulb (see page 11).	
	No power to unit.	Check to see if power cord is completely plugged in.	
Visible glow in freezer vents	Appearance of a red glow or reflection is normal during the defrost cycle.		
Warm air from cabinet bottom	This is normal air flow for condenser circulation.		
Cabinet vibrates	Cabinet not level. Weak floor.	Level cabinet (see page 2.)	
Odor in cabinet	Odor producing foods not covered.	Cover or wrap odorous foods tightly. Clean cabinet.	
NOISE	Noise, sounds and vibrations	Normal noise.	See Normal Operating Sounds page 13.
		Cabinet not level.	Level cabinet (see page 2).
TEMPERATURE	Freezer, refrigerator too warm (soft ice cream)	Control set too warm. Prolonged door openings.	Adjust temperature control (see page 5). Minimize door openings.
		Room temperature less than 55° F.	Unit will not run often enough to maintain proper temperatures.
		Products with high sugar content may not harden completely when frozen.	
Freezer, refrigerator too cold (food freezing)	Control set too cold.	Adjust temperature control (see page 5).	
ICE	Automatic icemaker not working	Sensor arm in up position.	Adjust sensor arm down to ON position.
		Cabinet not level.	Level unit (see page 2).
		Water supply not connected or restricted.	Connect water supply, or clear obstructions.
		Freezer too warm.	Adjust freezer temperature control (see page 5).
	Ice cubes have odor/taste	Old cubes.	Discard; ice cubes may absorb odors which affect taste.
		Bad water quality.	Contact local water treatment company.
		Food transmits odor/taste to ice.	Wrap foods tightly.
Ice cubes sticking in tray	Residue from minerals in the water.	Wipe trays with vinegar-soaked cloth until clean.	
Ice cubes evaporating	Limited use of ice.	Dump old ice cubes.	
MOISTURE	Moisture on cabinet surface between doors	Not unusual during periods of high humidity.	
	Moisture on inside cabinet walls or in crisper	Hot humid weather.	Normal.
		Frequent or prolonged door openings.	Minimize door openings.
		Door not closed properly.	Check to see if something is preventing door from closing.
		Food not wrapped properly.	Wrap or cover all foods tightly.
	Foods dry out	Crisper not tightly closed.	Close crisper all the way.
		Temperature controls set too cold.	Adjust temperature controls (see page 5).
		Packages not wrapped or sealed properly.	Wrap or cover all foods tightly.
Excessive moisture in crisper	Food not wrapped properly.	Wrap or cover all foods tightly.	
	Hot, humid weather.	Minimize door openings.	

MAYTAG WARRANTY

Full One Year Warranty

For **one (1) year** from the date of original retail purchase, any part that fails in normal home use will be repaired or replaced free of charge.

Ice Maker - When purchased with the refrigeration and installed by the dealer the ice maker will be considered part of the refrigerator for warranty purposes.

Limited Warranty - Major Refrigeration Components

Second Through Fifth Year - After the first year from the date of original retail purchase, through the end of the fifth year, Maytag ServicesSM will repair or replace, at its option, free of charge for parts and labor only, any part of the sealed refrigeration system (consisting of the compressor, evaporator, condenser, drier and connecting tubing) and the cabinet liner (exclusive of the door liner) which fail in normal home use. All other costs, including mileage, transportation, trip charge and diagnostic charge, if required, shall be the responsibility of the owner.

Limited Warranty - Other Parts

Second Year - Parts other than major refrigeration components which fail in normal home use during the second year following the date of original retail purchase will be repaired or provided free of charge for the part itself, with the owner paying all other costs, including labor, mileage, transportation, trip charge and diagnostic charge, if required.

Please note: The full warranty and the limited warranties apply when the refrigerator is located in the United States or Canada. Refrigerators located elsewhere are covered by the limited warranties only including parts that fail during the first year.

Limitations of Liability

The warrantor shall not be liable for any incidental or consequential damages, including food loss. Some states do not allow the exclusion or limitation of consequential damages, so the above limitation or exclusion may not apply to you.

*The specific warranties expressed above are the **ONLY** warranties provided by the manufacturer. These warranties give you specific legal rights, and you may also have other rights which vary from state to state.*

WHAT IS NOT COVERED BY THESE WARRANTIES:

1. Conditions and damages resulting from any of the following:
 - a. Improper installation, delivery, or maintenance.
 - b. Any repair, modification, alteration, or adjustment not authorized by the manufacturer or an authorized servicer.
 - c. Misuse, abuse, accidents, or unreasonable use.
 - d. Incorrect electric current, voltage, or supply.
 - e. Improper setting of any control.
2. Warranties are void if the original serial numbers have been removed, altered, or cannot be readily determined.
3. Light bulbs.
4. Products purchased for commercial or industrial use.
5. The cost of service or service call to:
 - a. Correct installation errors.
 - b. Instruct the user on the proper use of the product.
 - c. Transport the appliance to the servicer.
6. Consequential or incidental damages sustained by any person as a result of any breach of these warranties. Some states do not allow the exclusion or limitation of consequential or incidental damages, so the above exclusion may not apply.

To purchase accessories or replacement parts not covered by your product warranty:

Please have your model and serial numbers ready and call our parts specialists at 1-877-232-6771 inside U.S.A. from 7 a.m. to 7 p.m. central time Monday through Friday. Outside the U.S.A., contact your local appliance dealer or parts distributor.

IF YOU NEED SERVICE

- Call the dealer from whom your appliance was purchased or call Maytag ServicesSM, Maytag Customer Assistance at 1-800-688-9900, USA or 1-800-688-2002 Canada to locate an authorized servicer.
- Be sure to retain proof of purchase to verify warranty status. Refer to WARRANTY for further information on owner's responsibilities for warranty service.
- If the dealer or service company cannot resolve the problem, write to Maytag ServicesSM, Attn: CAIR[®] Center, P.O. Box 2370, Cleveland, TN 37320-2370, or call **1-800-688-9900 U.S.A. or 1-800-688-2002 Canada**. U.S. customers using TTY for deaf, hearing impaired or speech impaired, call 1-800-688-2080.

NOTE: When writing or calling about a service problem, please include the following information:

 - a. Your name, address and telephone number;
 - b. Model number and serial number;
 - c. Name and address of your dealer or servicer;
 - d. A clear description of the problem you are having;
 - e. Proof of purchase (sales receipt).
- User's guides, service manuals and parts information are available from Maytag ServicesSM, Maytag Customer Assistance.

GUIDE DE L'UTILISATEUR



Installateur : Veuillez laisser ce guide avec l'appareil.

Consommateur : Veuillez lire et conserver ce guide pour consultation ultérieure. Conservez la facture d'achat ou le chèque annulé comme preuve d'achat.

Numéro de modèle

Numéro de série

Date de l'achat

Dans le cadre de nos pratiques d'amélioration constante de la qualité de nos appareils, des modifications peuvent être introduites sur les appareils sans que cela donne lieu à une révision de ce guide.

Si vous avez des questions, veuillez écrire ou nous appeler (en incluant le numéro de modèle et votre numéro de téléphone) à :


Maytag ServicesSM
Attn: CAIR[®] Center
P.O. Box 2370
Cleveland, TN 37320-2370
É.-U. 1-800-688-9900
Canada 1-800-688-2002
Les clients des É.-U. utilisant un ATS
(pour handicap d'audition ou d'élocution)
doivent composer le 1-800-688-2080.
(Du lundi au vendredi de 8 h à 20 h,
heure de l'Est)
Internet : <http://www.maytag.com>

Pour des informations sur le service après-vente, voir page 31.

 **SÉCURITÉ** Page 17

 **INSTALLATION** Pages 18-20


 **RÉGLAGE ET MAINTIEN DES BONNES TEMPÉRATURES** Page 21

 **PRODUCTION DE GLACE** Page 22


 **INTÉRIEUR DU RÉFRIGÉRATEUR** Pages 23-24


 **CONSEILS POUR LA CONSERVATION DES ALIMENTS** ... Pages 25-26


 **REMISAGE DU RÉFRIGÉRATEUR** Page 27

 **ENTRETIEN ET NETTOYAGE** Pages 27-28

 **BRUITS NORMAUX** Page 29

 **AVANT D'APPELER** Page 30

 **GARANTIE** Page 31

 **GUÍA DEL USUARIO** Page 32

INSTRUCTIONS DE SÉCURITÉ IMPORTANTES

CE QUE VOUS DEVEZ SAVOIR SUR LES INSTRUCTIONS DE SÉCURITÉ

Les instructions de sécurité importantes et les avertissements paraissant dans ce guide ne sont pas destinés à couvrir toutes les situations et conditions éventuelles qui peuvent se présenter. Il faut faire preuve de bon sens et de prudence lors de l'installation, de l'entretien ou de l'utilisation de l'appareil.

Prenez toujours contact avec votre revendeur, distributeur, agent de service ou fabricant, au sujet de problèmes ou conditions que vous ne comprenez pas.

RECONNAISSEZ LES ÉTIQUETTES, PHRASES OU SYMBOLES SUR LA SÉCURITÉ

⚠ DANGER

DANGER – risques immédiats qui **RÉSULTERONT** en de graves blessures ou même la mort.

⚠ AVERTISSEMENT

AVERTISSEMENT – risques ou pratiques non sûres, qui **POURRAIENT** résulter en de graves blessures ou même la mort.

⚠ ATTENTION

ATTENTION – risques ou pratiques non sûres qui **POURRAIENT** résulter en blessures mineures, dommages du produit ou dégâts matériels.

⚠ AVERTISSEMENT

➤ **Suivre toujours les précautions de base lors de l'utilisation de cet appareil.**

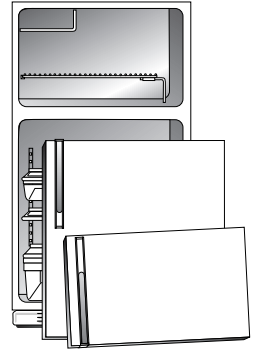
- Utiliser le réfrigérateur uniquement pour son application prévue.
- Pour éviter un risque de choc électrique, ne jamais brancher le réfrigérateur sur une prise de courant qui n'a pas été adéquatement reliée à la terre, conformément aux prescriptions des codes national et local des installations électriques. Voir ⚠ ci-dessous l'avertissement et les instructions de liaison à la terre.
- Débrancher le réfrigérateur avant de le nettoyer ou de remplacer une ampoule.
- En cas de panne d'électricité, éviter d'ouvrir les portes. Si l'interruption de l'alimentation se prolonge, placer des blocs de glace carbonique par-dessus les paquets pour protéger les aliments plus longtemps, ou contacter un entrepôt frigorifique local pour organiser un stockage temporaire. Ne pas recongeler des aliments surgelés qui ont été complètement décongelés.
- Réparer ou remplacer tout cordon d'alimentation électrique qui a été endommagé ou détérioré. Ne jamais tirer sur le cordon pour débrancher l'appareil.
- Ne pas faire fonctionner le réfrigérateur en présence de fumée explosive.
- Ne jamais laisser un enfant se tenir sur, grimper sur, ou se suspendre à une clayette de ce réfrigérateur.

IMPORTANT : Les risques d'enfermement et d'étouffement d'un enfant dans un réfrigérateur n'ont pas disparu. Un réfrigérateur abandonné demeure dangereux...même s'il ne reste ainsi accessible que pendant quelques

jours. Lorsqu'on se débarrasse d'un vieux réfrigérateur, il faut appliquer les instructions ci-dessous pour éviter tout accident.

➤ Démonter les portes.

- Laisser les clayettes en place pour qu'un enfant ne puisse pas facilement s'introduire dans le réfrigérateur.

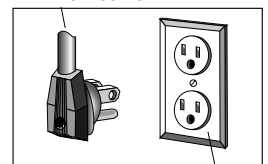


⚠ AVERTISSEMENT

➤ **Cet appareil est conçu pour être alimenté à partir du réseau normal de 115 V/60 Hz, 15 A. L'appareil devrait être alimenté par un circuit indépendant. Ne pas utiliser un câble de rallonge. Ne jamais utiliser un dispositif susceptible de dégrader la performance électrique de cet appareil.**

Cet appareil est doté d'une fiche de branchement à 3 broches (pour liaison à la terre), ce qui assure une protection adéquate contre les risques de chocs électriques. On doit brancher l'appareil uniquement sur une prise de courant reliée à la terre. Si la prise de courant disponible ne comporte que deux alvéoles, c'est au client qu'incombe la responsabilité et l'obligation personnelle de la faire remplacer par une prise de courant à 3 alvéoles convenablement reliée à la terre. On ne doit jamais, quelles que soient les circonstances, couper ou arracher la troisième broche (liaison à la terre) de la fiche de branchement. Ne jamais utiliser une fiche d'adaptation.

CORDON D'ALIMENTATION AVEC FICHE DE BRANCHEMENT À 3 BROCHES



PRISE DE COURANT MURALE RELIÉE À LA TERRE

CONSERVER CES INSTRUCTIONS COMME RÉFÉRENCES

INSTALLATION

Ce réfrigérateur a fait l'objet d'un emballage soigné. Enlever et jeter les agrafes éventuellement utilisées pour l'immobilisation des clayettes (juste au-dessus de chaque clayette -- accrochage sur le châssis). Pour enlever les agrafes de plastique, faire bouger les agrafes latéralement et tirer en ligne droite.

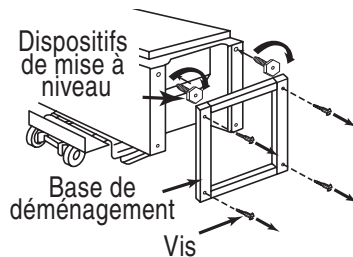
IMPORTANT : Ne pas enlever l'isolant en mousse des évents situés dans le plafond du compartiment d'aliments frais.

EMPLACEMENT D'INSTALLATION

- Veiller à ce que l'air puisse circuler librement à travers la grille de plinthe avant.
- Installer le réfrigérateur à un endroit où la température ambiante ne baissera pas au-dessous de 13° C (55° F). Lorsque la température ambiante est inférieure à 13° C (55° F), le réfrigérateur ne fonctionne pas assez fréquemment pour le maintien de la température adéquate dans le compartiment de congélation.
- Prévoir un espace libre d'au moins 1,5 cm (1/2 po) sur les côtés, au sommet et à l'arrière pour faciliter l'installation. Si le côté comportant les charnières de porte est contre un mur, il est désirable qu'il y ait un espace libre plus important de ce côté pour pouvoir ouvrir complètement les portes au sens inverse de leur sens d'ouverture (page 20).
- Dans le cas d'un plancher en vinyle ou en bois, travailler prudemment lors de l'installation pour éviter de laisser des marques sur le plancher ou de l'endommager. Utiliser une plaque de contreplaqué ou un morceau de tapis ou d'un autre matériau pour protéger le sol lors du positionnement de l'appareil.
- Le réfrigérateur doit rester vertical pendant au moins 30 minutes avant d'être branché.

DÉBALLAGE

- Retirer et conserver les dispositifs de mise à niveau fixés à la base de déménagement.
- Retirer et jeter la base de déménagement et les vis.
- À l'aide d'une pince à joint coulissant, installer les dispositifs de mise à niveau dans les trous situés aux angles avant de la caisse.



APLOMB DU RÉFRIGÉRATEUR

Pour optimiser l'esthétique et la performance du réfrigérateur, il faut le placer d'aplomb. Selon le modèle, le réfrigérateur peut être mis d'aplomb de deux façons.

- Tous les modèles de réfrigérateur ont des vis de mise à niveau à la base de la caisse, sous chacun des coins avant. Ces pieds peuvent être ajustés en les tournant dans un sens ou l'autre, au besoin. Si le plancher n'est pas de niveau et qu'il soit nécessaire de relever l'arrière de la caisse, utiliser un morceau de contreplaqué ou autre matériau de calage. Pour immobiliser la caisse en place, faire descendre les deux vis de mise à niveau (voir fig. 1).

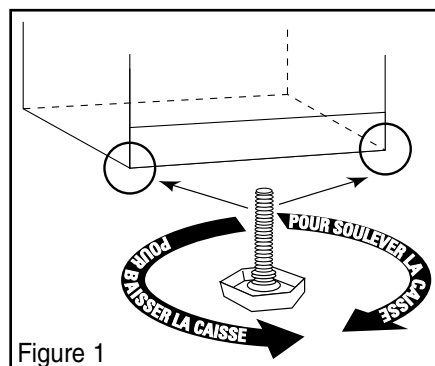


Figure 1

- Les modèles de réfrigérateur qui comportent des roulettes réglables peuvent être mis à niveau en retirant la grille de plinthe* et en réglant ces roulettes à l'aide d'un tournevis ou d'une douille de 1/4 pouce (6,4 mm) (voir fig. 2).

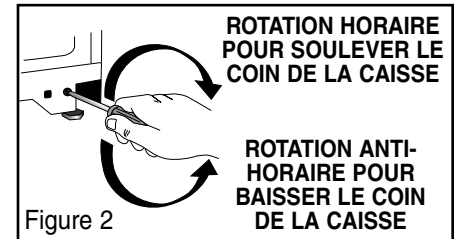
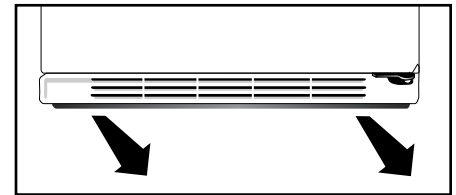


Figure 2

- * Pour retirer la grille de plinthe, saisir les deux extrémités et tirer en ligne droite. Pour la réinstaller, aligner les attaches avec les ouvertures rondes dans la caisse et pousser sur chaque extrémité pour l'emboîtement.



- Pour de meilleurs résultats, après avoir mis la caisse à niveau, ouvrir et fermer les portes et remettre à niveau.

INSTALLATION, SUITE

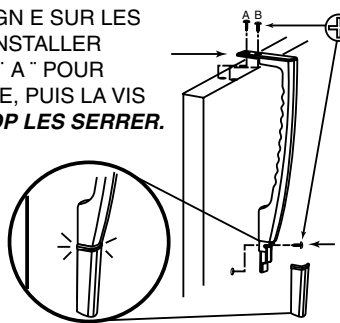
POIGNÉE MONTÉE SUR LE DESSUS

POIGNÉE DE PORTE DE RÉFRIGÉRATEUR SANS GARNITURE

1 ALIGNER LA POIGNÉE SUR LES TROUS DE VIS. INSTALLER D'ABORD LA VIS "A" POUR FIXER LA POIGNÉE, PUIS LA VIS "B". **NE PAS TROP LES SERRER.**

TOURNEVIS PHILLIPS N° 2 NÉCESSAIRE POUR L'INSTALLATION.

3 ENCLENCHER L'EXTRÉMITÉ CACHE-VIS EN PLACE, LA PARTIE INFÉRIEURE DE LA POIGNÉE.



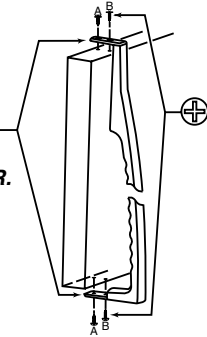
2 INSTALLER LA VIS DANS LE TROU DE LA POIGNÉE. **NE PAS TROP LA SERRER.**

INSTRUCTIONS D'INSTALLATION DE LA POIGNÉE SE MONTANT SUR LE DESSUS DE LA PORTE DU CONGÉLATEUR

ALIGNER LA POIGNÉE SUR LES TROUS DE VIS. INSTALLER D'ABORD LES VIS "A" POUR FIXER LA POIGNÉE, PUIS LES VIS "B". **NE PAS TROP LES SERRER.**

TOURNEVIS PHILLIPS N° 2 NÉCESSAIRE POUR L'INSTALLATION.

REMARQUE : TOUS LES TROUS DE VIS POUR LE MONTAGE DE LA POIGNÉE EN HAUT ET EN BAS DES PORTES SONT PRÉVUS POUR DES VIS TARAUDEUSES. **NE PAS AGRANDIR CES TROUS.**



POIGNÉE DE PORTE DE RÉFRIGÉRATEUR AVEC GARNITURE

TOURNEVIS PHILLIPS N° 2 NÉCESSAIRE POUR L'INSTALLATION.

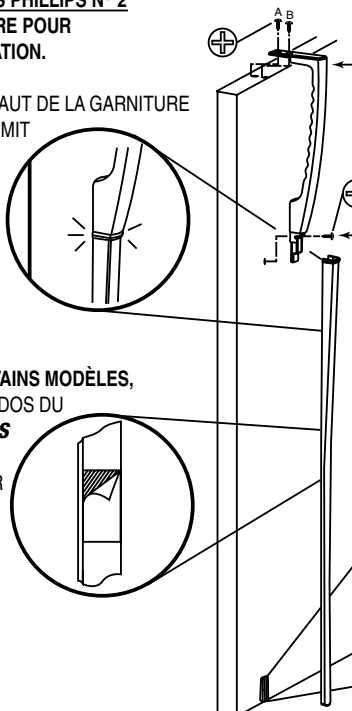
5 ENCLENCHER LE HAUT DE LA GARNITURE EN PLACE, L'EXTRÉMITÉ INFÉRIEURE DE LA POIGNÉE.

1 ALIGNER LA POIGNÉE SUR LES TROUS DE VIS. INSTALLER D'ABORD LA VIS "A" POUR FIXER LA POIGNÉE, PUIS LA VIS "B". **NE PAS TROP LES SERRER.**

2 INSTALLER LA VIS DANS LE TROU DE LA POIGNÉE. **NE PAS TROP LA SERRER.**

4 SUR CERTAINS MODÈLES, RETIRER L'ENDOS DU RUBAN. **APRÈS L'ÉTAPE 5,** APPUYER SUR LE RUBAN.

3 COULISSER LA GARNITURE DE POIGNÉE PAR-DESSUS LE SUPPORT, LA PARTIE INFÉRIEURE DE LA PORTE.

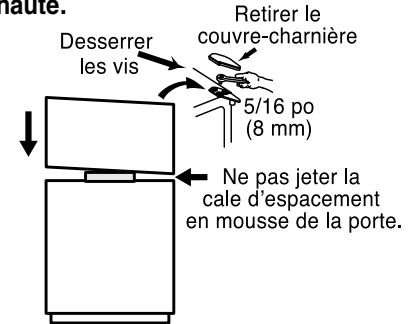


RÉGLAGE DE LA PORTE

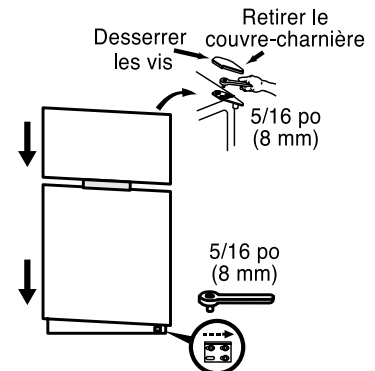
(AU BESOIN)

La porte doit être de niveau lorsque la caisse l'est.

• La porte du congélateur est trop haute.

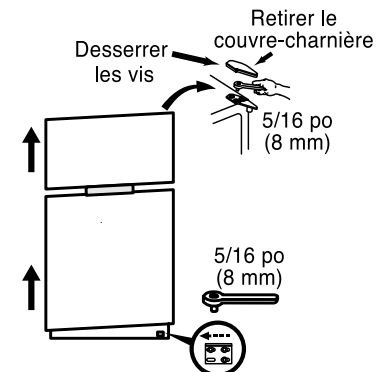


• Les deux portes sont trop hautes.



Desserrer les vis et coulisser la charnière inférieure à droite pour baisser les portes.

• Les deux portes sont trop basses.



Desserrer les vis et coulisser la charnière inférieure à gauche pour relever les portes.

• Resserrer les vis après avoir fini les réglages.

* Se reporter aux instructions d'installation pour obtenir plus d'informations.

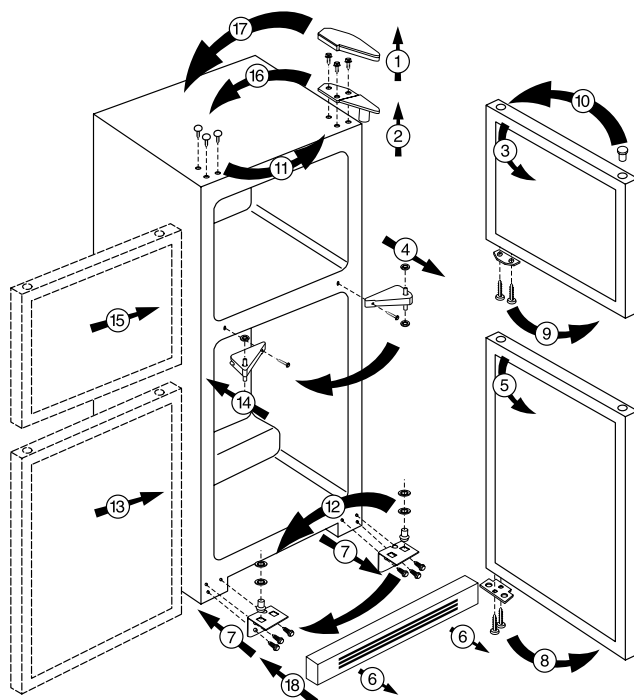
INVERSION DU SENS DES PORTES

Outils nécessaires : tournevis Phillips, clé à rochet et douille de 5/16 po (8 mm), couteau à mastic ou clé ouverte de 5/16 po (8 mm).

1. Retirer le couvre-charnière et le mettre de côté.
2. Retirer les vis et la charnière avec une clé à douille de 5/16 po (8 mm) et les mettre de côté.
3. Soulever doucement la porte du congélateur et la retirer.
4. Enlever la vis et le bras de charnière du dessus de la porte du réfrigérateur.
5. Soulever doucement la porte du réfrigérateur et la retirer.
6. Retirer le protecteur de grille et le mettre de côté.
7. Retirer la plaque de charnière du coin inférieur du réfrigérateur et l'installer de l'autre côté.
8. Retirer la plaque du dessous de la porte du réfrigérateur et l'installer de l'autre côté.
9. Retirer la plaque du dessous de la porte du congélateur et l'installer de l'autre côté.

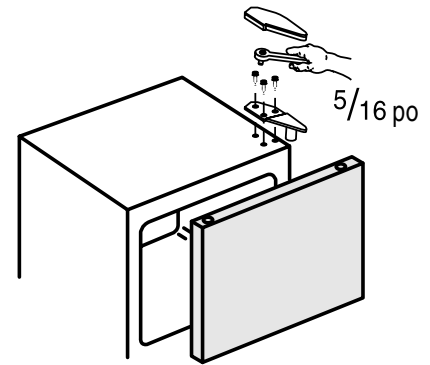
10. Retirer les boutons sur le dessus des portes de réfrigérateur et de congélateur et les réinstaller de l'autre côté.
11. Retirer les bouchons des trous de vis du dessus de la caisse et les réinstaller de l'autre côté.
12. Retirer les rondelles et l'axe de l'intérieur de la plaque de charnière et les installer à l'extérieur de la plaque de charnière.
13. Réinstaller soigneusement la porte du réfrigérateur sur la plaque de charnière au coin inférieur.
14. Coulisser le bras de charnière en place et le fixer avec une vis.
15. Installer soigneusement la porte du congélateur sur le dessus du bras de charnière en se servant de la cale d'espacement pour maintenir l'intervalle.*
16. Coulisser la charnière supérieure en place sur la porte du congélateur et fixer les vis à l'aide d'une clé de 5/16 po (8 mm).
17. Bien enclencher en place le couvre-charnière.
18. Remettre le protecteur de grille.

Ne pas oublier de rebrancher le réfrigérateur et de réenclencher les commandes au réglage voulu.

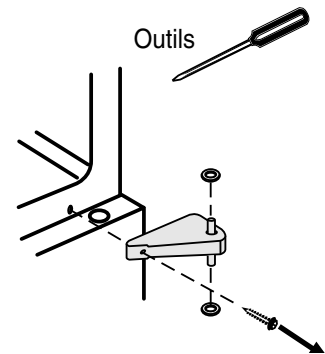


DÉPOSE DES PORTES

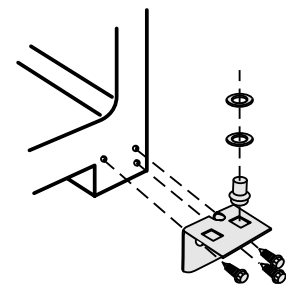
(AU BESOIN)



Poser la porte sur une surface non rugueuse.

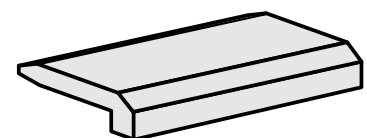


- A. Retirer la vis gauche.
- B. Ouvrir la porte et la soulever. Poser la porte sur une surface non rugueuse.



Retirer l'ensemble de plaque de charnière. Poser la porte sur une surface non rugueuse.

*



Ne pas jeter la cale d'espacement en mousse de la porte. Les portes peuvent se stabiliser à l'usage.

RÉGLAGE ET MAINTIEN DES BONNES TEMPÉRATURES

Le réfrigérateur est doté du concept de fraîcheur Dual Cool™ Maytag pour les températures des compartiments de congélation et de réfrigération. Les commandes sont situées en haut, sur le devant du compartiment de réfrigération. La commande du congélateur met en marche le système de refroidissement.



RÉGLAGE INITIAL DE LA COMMANDE DUAL COOL™

Après avoir branché le réfrigérateur, sélectionner les commandes.

- Pour régler les commandes, déplacer le curseur à gauche ou à droite selon le besoin.
- La commande du réfrigérateur comporte des graduations allant de 1 (température la plus élevée) à 9 (température la plus basse). Sélectionner initialement la valeur 5 pour cette commande.
- La commande du congélateur comporte des graduations allant de 1 (température la plus élevée) à 9 (température la plus basse). Sélectionner initialement la valeur 5 pour cette commande.
- Laisser le réfrigérateur fonctionner pendant au moins 8 à 12 heures avant d'y placer des aliments.

SURFACES DE LA CAISSE CHAUDES

Occasionnellement, la face avant de la caisse du réfrigérateur peut être chaude au toucher. Il s'agit d'un effet normal qui empêche la condensation d'humidité sur la caisse. Ceci se remarque particulièrement lors de la mise en marche initiale du réfrigérateur, par temps chaud ou après une période prolongée ou excessive des portes.

RÉGLAGE FIN DES COMMANDES DUAL COOL™

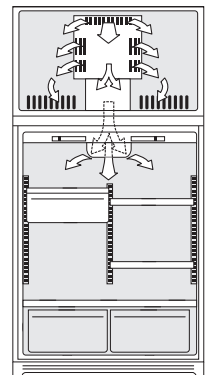
- 24 heures après l'addition d'aliments, il est possible de décider s'il convient d'ajuster la température dans l'un ou l'autre ou les deux compartiments. Dans ce cas, modifier la position du ou des boutons de commande, selon les indications du tableau ci-dessous.
- Sauf lors de la mise en marche initiale du réfrigérateur, ne pas changer la position du bouton de commande de plus d'une unité à la fois.

- Laisser les températures se stabiliser pendant 24 heures avant de modifier les réglages.
- Une modification du réglage de l'un ou l'autre des boutons de commande entraîne une modification de la température dans l'autre compartiment.

ÉTABLISSEMENT DE LA BONNE CIRCULATION DE L'AIR

Pour assurer le maintien des températures appropriées, il est nécessaire que la circulation de l'air se fasse correctement entre les compartiments de réfrigération et de congélation, comme l'indique l'illustration.

NE bloquer aucun de ces événements avec des aliments. S'ils étaient bloqués, la circulation de l'air serait entravée, ce qui entraînerait des problèmes de température et d'humidité.



GUIDE POUR LE RÉGLAGE DE LA TEMPÉRATURE

Compartiment de réfrigération trop chaud	Coulisser la commande de réfrigérateur vers le chiffre supérieur.
Compartiment de réfrigération trop froid	Coulisser la commande de réfrigérateur vers le chiffre inférieur.
Compartiment de congélation trop chaud	Coulisser la commande de congélateur vers le chiffre supérieur.
Compartiment de congélation trop froid	Coulisser la commande de congélateur vers le chiffre inférieur.
ARRÊT du réfrigérateur	Placer la commande de congélateur sur ARRÊT (OFF).

REMARQUE : Si la commande de congélateur est sur ARRÊT (OFF), le refroidissement cesse dans les deux compartiments. L'alimentation du réfrigérateur n'est pas interrompue.

REMARQUE:

- Lors du cycle de dégivrage automatique, l'on peut remarquer un reflet rougeoyant dans les événements, sur la paroi arrière du compartiment de congélation, et l'on peut entendre aussi le bruit de gouttes d'eau venant en contact avec l'élément chauffant du système de dégivrage. Ceci est normal lors du dégivrage.

PRODUCTION DE GLACE

MOULES À GLAÇONS

Certains modèles comportent des moules à glaçons et un bac à glaçons. Pour libérer les glaçons d'un moule, retourner le moule au-dessus du bac et effectuer un mouvement de torsion aux deux extrémités.

Selon le modèle choisi, le bac à glaçons coulisse dans des rails sous un support ou s'empile avec netteté au-dessus des moules à glaçons.

MACHINE À GLAÇONS AUTOMATIQUE (EN OPTION)

REMARQUE:

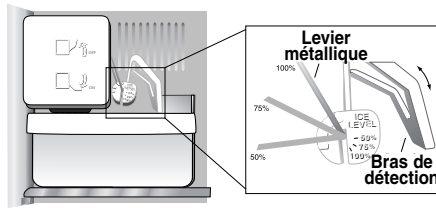
- Les guides de classification d'énergie indiqués sur le réfrigérateur au moment de l'achat ne comprennent pas l'utilisation d'une machine à glaçons en option.

Certains modèles sont prêts pour une installation de machine à glaçons automatique. Le numéro du nécessaire de machine à glaçons approprié pour l'installation sur ces modèles apparaît sur la plaque signalétique. Le nécessaire comprend les instructions d'installation et de raccordement de l'eau.

D'autres modèles ont une machine à glaçons installée à l'usine. Raccorder la machine à glaçons à la canalisation d'eau comme il est indiqué dans les instructions fournies à part avec le réfrigérateur. **Une bonne circulation d'eau et la mise à niveau du réfrigérateur sont essentielles à des performances optimales de la machine à glaçons.**

Après le raccordement du réfrigérateur à l'alimentation d'eau, abaisser le bras de détection. La machine à glaçons se remplit d'eau dès que la température adéquate est établie avec le congélateur.

Certains machines à glaçons sont dotées d'un bras de détection réglable, qui permet de choisir la quantité de glaçons dans le moule à glaçons pour les fois où une quantité inférieure de glaçons est nécessaire.



Pour régler la quantité de glaçons produits : (certains modèles) Tourner le levier métallique pour produire la quantité désirée de glaçons. Le réglage 100% assure une production maximale.

- Il faut attendre 8 à 12 heures avant que la machine à glaçons produise des glaçons utilisables. Le premier ou les deux premiers lots seront probablement constitués de glaçons de petite taille et irréguliers, du fait de la présence d'air dans la canalisation.
- Le premier lot peut également contenir des impuretés présentes dans la nouvelle canalisation d'eau. Par conséquent, jeter tous les glaçons des deux ou trois premiers lots.
- Lors de l'éjection des glaçons, il est normal que plusieurs glaçons soient collés ensemble aux extrémités. Il est facile de les séparer. La machine à glaçons continuera à produire des glaçons jusqu'à ce que l'accumulation de glaçons relève le bras de détection, ce qui arrête la machine à glaçons.
- Certains sons peuvent accompagner les diverses phases de la production de glaçons : léger bourdonnement du moteur, chute de glaçons dans le bac à glaçons vide et dé clic de l'électrovanne ou, de temps à autre, bourdonnement.
- Si la consommation de glaçons est faible, les glaçons accumulés vont prendre un aspect trouble, se contracter, coller ensemble et prendre un goût. Vider périodiquement le bac pour le laver à l'eau tiède. Veiller à bien le sécher avant de le réinstaller.
- Pour retirer le bac à glaçons, le tirer vers l'avant puis l'enlever de la machine à glaçons. Pour empêcher que la machine à glaçons ne produise des glaçons alors que le bac est enlevé, arrêter la machine à glaçons en relevant le bras de détection.

- Pour remettre le bac à glaçons en place, inverser la méthode ci-dessus. Remettre en marche la machine à glaçons en baissant le bras de détection.
- Ne placer dans le bac à glaçons aucun aliment ou liquide pour un refroidissement rapide. Ces articles entraveraient les mouvements du bras de détection, ce qui entraînerait un mauvais fonctionnement de la machine à glaçons.
- Lorsque l'arrivée d'eau doit être interrompue pendant plusieurs heures, arrêter la machine à glaçons en relevant le bras de détection.

⚠ AVERTISSEMENT

MESURES DE SÉCURITÉ

Ne jamais placer les doigts ou la main sur le mécanisme de la machine à glaçons lorsque le réfrigérateur est branché, pour éviter tout risque de blessure. Cela évitera aussi toute interférence avec les pièces mobiles du mécanisme d'éjection et avec l'élément chauffant qui provoque la libération des glaçons.

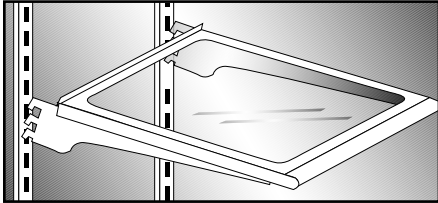
Dans certaines circonstances rares, les glaçons peuvent présenter une coloration vert-bleu. Ceci est dû à une combinaison de facteurs comme caractéristiques de l'eau locale, circuits de plomberie de la résidence, et accumulation de sels de cuivre dans la canalisation inactive qui alimente la machine à glaçons.

La consommation répétitive de glaçons ainsi colorés peut être néfaste pour la santé. Jeter tous les glaçons manifestant une telle coloration, et contacter le détaillant pour l'achat d'un filtre qui devra être installé sur la canalisation d'eau.

INTÉRIEUR DU RÉFRIGÉRATEUR

CLAYETTES ET ÉTAGÈRES

Le réfrigérateur comporte des **étagères Spill-Catcher™** ou des **clayettes en verre trempé**. Les étagères Spill-Catcher™ comportent un rebord de retenue qui permet un nettoyage plus facile. Certaines sont également **coulissantes**.



Pour coulisser l'étagère (certains modèles), saisir l'avant de l'étagère et la tirer par l'avant. La pousser en place pour la remettre à sa position d'origine.

Pour retirer une étagère ou une clayette, soulever légèrement l'arrière de celle-ci et la tirer droit vers soi.

Pour immobiliser une étagère ou une clayette à une autre place, soulever le bord avant de celle-ci. Introduire les crochets dans les ouvertures souhaitées et laisser l'étagère ou la clayette se mettre solidement en place à l'arrière.

⚠ AVERTISSEMENT

➤ Ne jamais essayer de régler une clayette/étagère chargée d'aliments (sauf dans le cas de l'étagère Elevator™).

ÉTAGÈRE À MANIVELLE ELEVATOR™

Le compartiment d'aliments frais peut être doté d'une **étagère à manivelle Elevator™**. Celle-ci comporte un rebord de retenue qui facilite le nettoyage. Elle est également coulissante, ce qui donne un accès facile aux articles se trouvant à la partie arrière.

Cette étagère se relève ou s'abaisse sans avoir à retirer les aliments. Pour ajuster une étagère Elevator™, tirer sur le bouton de la manivelle. Tourner la manivelle dans le sens horaire pour relever l'étagère ou dans le sens antihoraire pour la baisser.

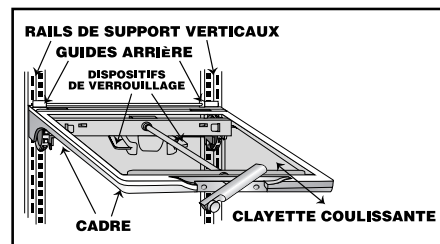
Pour enlever l'étagère Elevator™ lors d'un nettoyage, la décharger complètement et la tirer vers l'avant. Une fois que l'étagère s'arrête, appuyer sur les pattes situées sous ses bords extérieurs, puis la tirer vers l'avant pour la faire sortir.

Pour la réinstaller, aligner l'étagère avec le cadre et la pousser jusqu'au fond. (Il n'est alors pas nécessaire d'appuyer sur les pattes.)

Il N'est PAS nécessaire, lors de l'usage courant, d'enlever l'étagère Elevator™ avec son cadre. Bien qu'improbable et pas non plus recommandée, l'opération d'enlèvement appropriée est la suivante :

Décharger complètement l'étagère et la relever au maximum. Tout en relevant l'étagère et le cadre à partir de l'avant, appuyer sur les deux dispositifs de verrouillage, et ce, vers l'intérieur. Relever légèrement l'ensemble de cadre en l'inclinant, pour permettre aux guides arrière de se dégager des rails verticaux.

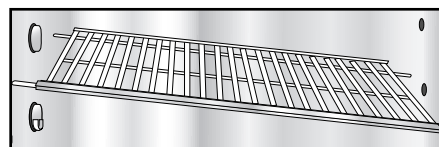
Pour la réinstallation, incliner l'ensemble de cadre tout en appuyant sur les deux dispositifs de verrouillage, et repositionner les guides arrière derrière les rails verticaux. Une fois l'étagère de niveau, relâcher les dispositifs de verrouillage pour permettre à l'étagère de se loger à la bonne position.



CLAYETTE RÉGLABLE DE CONGÉLATEUR

(certains modèles)

Pour enlever la clayette, soulever l'extrémité gauche d'environ 3 po (7,5 cm); sortir les barres d'extrémité du côté droit des alvéoles dans la paroi. Pour remettre en place la clayette, repositionner les bouchons de support amovibles sur le côté gauche de la paroi, au niveau souhaité, et inverser la méthode de dépose.

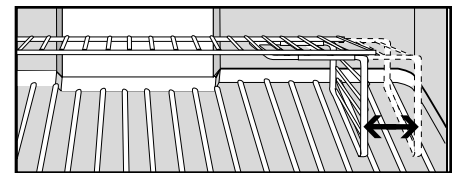


CLAYETTE DE CONGÉLATEUR À LARGEUR EXTENSIBLE

(certains modèles)

La clayette s'ajuste latéralement pour dégager un espace permettant le rangement des conditionnements hauts, comme les pizzas. La patte du côté droit de la clayette coulisse pour permettre cet ajustement.

La clayette peut être aussi réglée à deux hauteurs. Pour cela, retirer la clayette du congélateur. Coulisser la patte hors des rainures et la réinsérer à l'autre place. Remettre la clayette dans le congélateur en introduisant le côté gauche dans les alvéoles de la doublure.



DOUBLE CLAYETTE EXTENSIBLE DE CONGÉLATEUR

(certains modèles)

Cette caractéristique améliore le rangement dans la partie congélateur par l'addition d'une autre clayette. Selon la dimension des aliments congelés, la hauteur des clayettes peut être modifiée. La clayette inférieure est extensible en largeur (comme il a été décrit précédemment) pour créer un espace pour les articles plus hauts.

RANGEMENT DANS LA CONTRE-PORTE

Les **bacs de porte amovibles** (certains modèles) sont assez spacieux pour des récipients de plus d'un gallon. Ils sont réglables et peuvent être facilement enlevés.

Pour enlever un bac, soulever l'avant jusqu'à ce qu'il se libère des retenues sur la doublure de la porte, puis sortir le bac tout droit.

Pour le remettre en place, inverser les opérations ci-dessus.

D'autres modèles sont fabriqués avec des **balconnets fixes**, durables, permettant le rangement de contenants d'un gallon et plus.

Certains balconnets de réfrigérateur et de congélateur comportent des **retenues** pour maintenir les flacons et autres contenants en place lorsque la porte est ouverte ou fermée. Ces retenues sont facilement réglables par coulissement d'un côté à l'autre.

Le **dispositif de retenue pour grandes bouteilles** (certains modèles) est prévu pour empêcher les grandes bouteilles de s'incliner vers l'avant. Il est facilement réglable par coulissement d'un côté à l'autre.

SUPPORTS

Le support **multi-canettes** (certains modèles) s'accroche à l'une des clayettes de réfrigérateur à rebords, sur les parties métalliques se trouvant sous la clayette. L'inclinaison permet aux canettes de rouler en avant au fur et à mesure qu'une canette est enlevée. (Ce support ne peut être placé sous une étagère Elevator™.)

Le support **multi-usages** (certains modèles) permet le rangement à l'horizontale de bouteilles de vin. Il peut aussi servir au rangement d'une boîte d'oeufs ou de boissons en canettes.

Placer le support sur le côté gauche d'une clayette de réfrigérateur (ce support ne peut être placé sur une étagère Elevator™.)

ESPACES DE REMISAGE SPÉCIAUX

Le réfrigérateur comporte un **tiroir central pour collation** ou un **bac Adjusti-Temp™**. Pour les modèles comportant un bac Adjusti-Temp™, une commande est située sur le devant de la clayette, au-dessus du bac. Il suffit de coulisser le bouton à gauche ou à droite pour obtenir la température interne souhaitée du bac.

- Pour entreposer le fromage, coulisser la commande à gauche. Pour la viande fraîche, la volaille ou le poisson, coulisser la commande à droite pour obtenir une température plus basse dans le bac.



La température n'est pas réglable dans le **tiroir central pour collation**.

Pour enlever le tiroir pour collation ou le bac Adjusti-Temp afin de les nettoyer :

- ouvrir le tiroir ou le bac jusqu'à la position de butée
- soulever légèrement le tiroir ou le bac pour pouvoir l'extraire

Pour réinstaller le tiroir ou le bac, procéder inversement.

On peut installer ce tiroir sur le côté gauche ou le côté droit dans le réfrigérateur, au choix.

Pour obtenir les meilleurs résultats, veiller à toujours bien fermer le tiroir.

Les **bacs à légumes** permettent l'entreposage de fruits et légumes. Un dispositif de contrôle de l'hygrométrie est situé sur l'étagère, au-dessus de chacun des bacs.

- Pour la conservation de fruits, faire coulisser la commande vers la gauche pour minimiser l'humidité dans le bac.
- Pour la conservation de légumes, faire coulisser la commande vers la droite pour augmenter l'humidité dans le bac.



Dépose d'un bac à légumes pour le nettoyer :

- tirer le bac jusqu'à la butée
- soulever l'avant et tirer pour extraire le bac

Réinstallation d'un bac à légumes :

- aligner le bac avec les rails de coulissement
- soulever l'avant du bac et faire glisser le bac

Pour obtenir les meilleurs résultats, veiller à toujours bien fermer les bacs.

Dépose de l'étagère au-dessus du bac :

- soulever le bord avant de l'étagère
- tirer l'étagère en ligne droite

Réinstallation de l'étagère au-dessus du bac :

- placer les barres arrière sur le support
- pousser l'étagère vers l'arrière jusqu'à ce qu'il soit possible d'effectuer la mise en place correcte du bord avant

Le réfrigérateur peut être équipé d'un **oeufrier** (style variable). Il est amovible pour le lavage ou une autre utilisation.

Pour utiliser le **casier laitier**, relever le couvercle. Le casier laitier peut être équipé d'une **retenue** pour maintenir les articles en place. Si le modèle comporte une retenue, il suffit de la coulisser d'un côté à l'autre à l'emplacement souhaité.

Dans certains modèles, le casier laitier peut être enlevé.

Le compartiment **SafeKeeper** (certains modèles) est une combinaison de bac amovible et de tiroir pratique. Il suffit de placer en avant le levier (situé du côté droit, en haut du compartiment) pour ouvrir le compartiment. Ce dernier permet un rangement fermé d'articles comme films, piles et médicaments.

Les **bacs de porte basculants de réfrigérateur** (certains modèles) conviennent parfaitement au rangement de contenants de formes variées, comme flacons d'un litre et articles en sacs. En faisant basculer les bacs vers l'extérieur, il est plus facile de ranger les articles ou de les prendre.

Le **panier de congélateur sur glissières** (certains modèles) se trouve dans le compartiment principal de congélation. C'est un espace de rangement pratique, permettant un accès facile aux articles rangés à l'arrière du congélateur. Coulisser le panier à l'extérieur pour atteindre ou pour ranger les articles congelés.

Pour enlever le panier :

- le tirer jusqu'à la butée
- le soulever et le tirer pour le sortir

Pour remettre le panier en place, procéder inversement.

Le **panier amovible de congélateur** (certains modèles) se trouve sur le balconnet inférieur du congélateur. Il permet le rangement d'articles congelés qui ont tendance à bouger ou à glisser (comme les légumes en sachets).

CONSEILS POUR LA CONSERVATION DES ALIMENTS

CONSERVATION DE PRODUITS FRAIS

- On devrait maintenir la température dans le compartiment réfrigérateur entre 1° C et 4° C (34° F et 40° F) (la valeur optimale est 3° C [37° F]). Pour contrôler la température, placer un thermomètre dans un verre d'eau, au centre du compartiment réfrigérateur. Noter l'indication du thermomètre après 24 heures. Si la température est supérieure à 4° C (40° F), ajuster le bouton de commande, selon les instructions de la page 21.
- Éviter de placer trop de produits sur les clayettes et étagères du réfrigérateur. Ceci entrave la circulation de l'air autour des aliments et entraîne un refroidissement non uniforme.

FRUITS ET LÉGUMES

- L'humidité des produits conservés dans les bacs à légumes est retenue, ce qui permet de maximiser la qualité et la durée de conservation des fruits et légumes (page 24).
- Effectuer un tri des fruits et légumes avant de les placer dans le réfrigérateur; veiller à consommer d'abord les articles amollis ou qui ont subi des chocs. Jeter les articles manifestant un début de dégradation.
- Veiller à toujours envelopper les aliments très odorants – oignons, choux, etc. – afin que l'odeur ne soit pas transférée à d'autres aliments.
- Tandis qu'une certaine dose d'humidité est nécessaire à la conservation de la fraîcheur des légumes, un excès d'humidité peut réduire la durée de conservation (particulièrement pour les légumes feuillus). Veiller à bien égoutter les légumes avant de les placer dans le réfrigérateur.

VIANDES ET FROMAGES

- On devrait parfaitement envelopper la viande ou volaille non cuite pour qu'il ne puisse y avoir aucune contamination d'autres aliments ou des surfaces du réfrigérateur.
- Occasionnellement une moisissure peut se développer à la surface de certains fromages durs (gruyère, cheddar, parmesan). Couper dans le fromage, jusqu'à 2 cm (1 pouce) autour et au-dessous de la zone moisie. Veiller à ce que couteau ou autre instrument ne touche pas la zone moisie. Le reste du fromage conservera sa saveur et pourra être consommé sans danger. **NE PAS** tenter de récupérer après l'apparition de moisissure, tranches de fromage individuelles, fromage mou, fromage cottage, crème, crème sure ou yaourt.

PRODUITS LAITIERS

- Une date de péremption indiquant la limite de conservation apparaît généralement sur l'emballage de la plupart des produits laitiers comme lait, yaourt, crème sure et fromage cottage. On doit veiller à conserver ces aliments dans leur emballage d'origine et à les réfrigérer immédiatement après l'achat et après chaque prélèvement.

CONSERVATION DES ALIMENTS SURGELÉS

- La température dans le compartiment congélateur d'un réfrigérateur doit être maintenue à 18° C (0° F). Pour contrôler la température, placer un thermomètre pour appareils ménagers entre les paquets d'aliments surgelés. Noter l'indication du thermomètre après 24 heures. Si la température est supérieure à 18° C (0° F), ajuster le bouton de commande, selon les instructions de la page 21.
- Le fonctionnement du congélateur est plus efficace lorsqu'il est rempli aux deux tiers ou plus.

PRÉPARATION DES ALIMENTS POUR LA CONGÉLATION

- Pour minimiser la déshydratation et la détérioration qualitative, utiliser feuille d'aluminium, pellicule plastique, et sachets ou contenants étanches pour congélateur. Expulser autant d'air que possible de l'emballage, veiller à ce que chaque paquet soit parfaitement fermé. L'air retenu peut provoquer l'assèchement des aliments, un changement de couleur, ou le développement d'une saveur non naturelle (brûlures de congélation).
- Avant de les congeler, envelopper les paquets de viande fraîche et de volaille avec un produit adéquat d'emballage pour congélation.
- **Ne pas congeler de nouveau une pièce de viande complètement décongelée.**

CHARGEMENT DU CONGÉLATEUR

- Éviter de placer trop d'aliments tièdes dans le congélateur en une seule fois. Ceci soumet le congélateur à une surcharge, ce qui ralentit le refroidissement et peut provoquer une augmentation de la température des aliments déjà congelés.
- Laisser un espace entre les paquets pour que l'air froid puisse circuler librement, ce qui entraînera une congélation plus rapide.
- Éviter de placer sur les balconnets du congélateur des produits à congélation difficile comme crème glacée ou jus d'orange; il est préférable de placer ces produits à l'intérieur du congélateur où la température varie moins lors de l'ouverture des portes.

Se reporter au tableau de conservation des aliments à la page 26 pour connaître les durées approximatives de conservation.

TABLEAU DE CONSERVATION DES ALIMENTS

(La durée de conservation est approximative et peut varier selon le type d'emballage, la température de conservation et la qualité du produit lors de son achat.)

Aliments	Réfrigérateur	Congélateur	Conseils de conservation
PRODUITS LAITIERS			
Beurre	1 mois	6-9 mois	Bien emballer ou couvrir
Lait et crème	1 semaine	Non recommandé	Vérifier la date sur l'emballage. Bien fermer. Ne pas remettre la partie non utilisée dans le contenant d'origine. Ne pas congeler la crème à moins qu'elle ne soit fouettée.
Fromage à la crème, tartinade de fromage et produits au fromage	1-2 semaines	Non recommandé	Bien envelopper.
Fromage cottage	3-5 jours	Non recommandé	Conserver dans le contenant d'origine. Vérifier la date sur le cartonnage.
Crème sure	10 jours		
Fromage dur (gruyère, cheddar et parmesan)	1-2 mois	4-6 mois Peut s'émietter	Bien envelopper. Découper toute partie moisie.
OEUFS			
Oeufs en coquille, Jaunes ou blancs	3 semaines 2-4 jours	Non recommandé 9-12 mois	Réfrigérer, pointe vers le bas. Pour chaque tasse de jaunes d'oeuf, ajouter 1 c. à thé de sucre pour les pâtisseries ou 1 c. à thé de sel pour les mets non sucrés.
FRUITS			
Pommes	1 mois	8 mois (cuites)	Également, conservation de pommes à chair ferme ou non mûres à 15-21° C (60-70° F).
Bananes	2-4 jours	6 mois (entières/pelées)	Faire mûrir à la température ambiante avant de mettre au réfrigérateur. Les bananes et les avocats noircissent lorsqu'ils sont mis au réfrigérateur.
Poires, prunes, avocats	3-4 jours	Non recommandé	
Baies, cerises, abricots	2-3 jours	6 mois	
Raisins	3-5 jours	1 mois (entiers)	
Agrumes	1-2 semaines	Non recommandé	Se conservent aussi à 15-21° C (60-70° F). Au réfrigérateur, conserver sans les recouvrir.
Ananas, découpé	2-3 jours	6-12 mois	Ne mûrit pas après l'achat. Utiliser rapidement.
LÉGUMES			
Asperges	1-2 jours	8-10 mois	Ne pas laver avant de réfrigérer. Ranger dans le bac à légumes.
Choux de Bruxelles, brocoli, chou-fleur, petits pois, haricots de lima, oignons, poivrons	3-5 jours	8-10 mois	Envelopper les aliments dégageant une odeur. Laisser les petits pois en gousse.
Chou, céleri	1-2 semaines	Non recommandé	Envelopper les aliments dégageant une odeur et les réfrigérer dans le bac à légumes.
Carottes, panais, betteraves et navets	7-10 jours	8-10 mois	Enlever les feuilles. Envelopper les aliments dégageant une odeur et les réfrigérer dans le bac à légumes.
Laitue	7-10 jours	Non recommandé	
VOLAILLES ET POISSONS			
Poulet et dinde, entiers	1-2 jours	12 mois	Conserver dans l'emballage d'origine pour la réfrigération. Ranger dans le bac à viande et fromage. Si la congélation est de plus de 2 semaines, réenvelopper avec un emballage pour congélation.
Poulet et dinde, morceaux	1-2 jours	9 mois	
Poisson	1-2 jours	2-6 mois	
VIANDES			
Bacon	7 jours	1 mois	Les viandes fraîches peuvent être conservées dans leur emballage d'origine pour la réfrigération. Placer dans le bac à viande et fromage. Si la congélation est de plus de 2 semaines, réenvelopper avec un emballage pour congélation.
Boeuf ou agneau, haché	1-2 jours	3-4 mois	
Boeuf ou agneau, rôti et steak	3-5 jours	6-9 mois	
Jambon, entier,	7 jours	1-2 mois	
entièrement cuit, moitié,	5 jours	1-2 mois	
en tranches	3 jours	1-2 mois	
Viandes froides	3-5 jours	1-2 mois	La charcuterie non ouverte, emballée sous vide, peut être conservée jusqu'à 2 semaines dans le bac à viande et fromage.
Rôti de porc	3-5 jours	4-6 mois	
Côtelettes de porc	3-5 jours	4 mois	
Saucisses à base de viande hachée	1-2 jours	1-2 mois	
Saucisses fumées	7 jours	1-2 mois	
Veau	3-5 jours	4-6 mois	
Saucisses de Francfort	7 jours	1 mois	Bien envelopper les viandes transformées et les ranger dans le bac à viande et fromage.

Sources: Department of Agriculture des États-Unis; Food Marketing Institute; Cooperative Extension Service, Université d'état de l'Iowa

REMISAGE DU RÉFRIGÉRATEUR

VACANCES

Pour une absence de un mois ou moins, laisser les boutons de commande aux positions de réglage habituelles.

Pour une absence de plus longue durée:

1. Retirer tous les aliments.

2. Arrêter la machine à glaçons (si elle est installée) et fermer le robinet d'arrêt de la canalisation d'eau.
3. Débrancher le réfrigérateur de la prise de courant.
4. Nettoyer et sécher parfaitement le réfrigérateur.
5. Laisser les portes ouvertes pour éviter le développement d'odeurs.

DÉMÉNAGEMENT

Pour un déménagement, exécuter les étapes 1 à 4 décrites au paragraphe Vacances. De plus, enlever et emballer soigneusement tout article facilement amovible. Faire transporter le réfrigérateur verticalement; les portes doivent être fermées et immobilisées avec du ruban adhésif.

ENTRETIEN ET NETTOYAGE

Le tableau de la page suivante présente des directives spécifiques pour le nettoyage du réfrigérateur.

⚠ ATTENTION

- Débrancher le cordon d'alimentation avant toute opération de nettoyage.

NETTOYAGE SOUS LE RÉFRIGÉRATEUR

Il est possible de faire rouler le réfrigérateur sur le sol pour pouvoir nettoyer le plancher sous le réfrigérateur. Faire d'abord remonter les vis de mise à niveau si elles sont abaissées (page 18). Tirer le réfrigérateur en ligne droite pour l'écartier du mur.

REMPACEMENT D'UNE AMPOULE

⚠ ATTENTION

- Débrancher le cordon d'alimentation avant de remplacer une ampoule. Porter des gants à titre de protection contre un éventuel bris du verre.

Utiliser toujours une ampoule standard de 40 ou 60 W, pour appareils ménagers.

Compartiment réfrigérateur

Il y a deux lampes d'éclairage au sommet du compartiment réfrigérateur, sur chaque côté de la commande Dual Cool™.

- Saisir doucement l'ampoule derrière le cabochon.

- Dévisser/remplacer l'ampoule.

Compartiment congélateur

Certains modèles comportent une lampe sur la paroi arrière, dans l'angle supérieur/droit.

Pour enlever le cabochon:

- Saisir le cabochon en haut et en bas. Appuyer dans la zone des pattes de fixation, en exerçant une pression suffisante pour les dégager. Simultanément, faire pivoter le cabochon pour l'enlever.
- Dévisser/remplacer l'ampoule.
- Réinstaller le cabochon en le faisant pivoter dans le sens inverse pour la mise en position, puis en emboîtant les pattes dans les ouvertures appropriées.

CONDENSEUR NO CLEAN™ POUR SERVICE COMMERCIAL

Le réfrigérateur fonctionne plus efficacement si le condenseur est propre. Grâce à la conception particulière du condenseur No Clean™, il n'est plus nécessaire d'effectuer un nettoyage de routine du condenseur dans le cadre de l'utilisation résidentielle normale du réfrigérateur.

Certains environnements d'utilisation peuvent être particulièrement poussiéreux ou gras. Dans un tel cas, il faudra nettoyer périodiquement le condenseur pour maintenir l'efficacité optimale.

CONSEILS POUR L'ÉCONOMIE D'ÉNERGIE

- Installer le réfrigérateur à distance des sources de chaleur (cuisinière, lave-vaisselle, bouches de chauffage) et du rayonnement solaire direct.
- Établir correctement l'aplomb du réfrigérateur et ne pas obstruer les orifices de ventilation de la grille de plinthe avant.
- Essayer de maintenir le compartiment de congélation aussi plein que possible; ainsi moins d'air froid s'échappera lors de l'ouverture de la porte. Lorsque le compartiment de congélation est rempli à moins des deux tiers, il est utile d'y placer des récipients de lait à demi remplis d'eau.
- Laisser refroidir les plats chauds avant de les placer dans le réfrigérateur ou le congélateur.
- Couvrir/fermer les récipients de liquide.
- Essuyer les récipients pour enlever toute trace d'eau avant de les placer dans le réfrigérateur.
- Éviter d'ouvrir fréquemment les portes de l'appareil.

⚠ ATTENTION

- Débrancher le cordon d'alimentation avant d'entreprendre le nettoyage. Ne pas toucher les surfaces réfrigérées avec une main humide ou mouillée. Un objet mouillé adhère sur une surface métallique très froide. Avant de nettoyer le compartiment congélateur, on doit le laisser se réchauffer. Laisser les étagères en verre se réchauffer avant de les immerger dans de l'eau tiède.

Tableau de nettoyage du réfrigérateur

Extérieur du réfrigérateur

Composants	Conseils et précautions	
Grille de plinthe	Eau tiède et détergent doux Liquide pulvérisable doux Aspirateur	Pour enlever la grille de plinthe, saisir les extrémités et tirer en ligne droite. Pour la réinstaller, aligner les attaches avec les ouvertures rondes dans la caisse et pousser sur chaque extrémité.
Condenseur	Brosse de nettoyage (produit n° 20001017), disponible chez le détaillant	Aucun besoin de nettoyage, sauf si l'environnement est particulièrement gras ou poussiéreux, ou s'il y a plusieurs animaux de compagnie dans la maison (voir page 27).
Poignées de porte	Eau tiède et détergent doux Liquide pulvérisable doux	
Surfaces métalliques peintes : caisse, portes	Eau tiède et détergent doux Liquide pulvérisable doux	Sécher avec un linge doux propre. Ne pas essuyer le réfrigérateur avec une serviette humide ou un torchon à vaisselle sale; il pourrait y avoir sur ces articles des résidus susceptibles de dégrader ou érafler la peinture. Ne pas utiliser non plus tampon de récurage, produit de nettoyage en poudre, ou produit de nettoyage contenant un agent de blanchiment. Ces produits peuvent érafler et dégrader la peinture de finition. N'appliquer aucune cire sur les composants en plastique ou vinyle.
Portes en acier inoxydable (certains modèles)	Nettoyage léger: détergent doux et eau ou solution de vinaigre blanc et d'eau. Saleté moyenne: Bon Ami* Décolorations: nettoyant pour acier inoxydable Cameo.*	Utiliser une éponge ou un linge souple. Essuyer toujours dans le sens du grain de l'acier inoxydable. Ne pas utiliser de produit de blanchiment chloré ou de produit de nettoyage qui contient du chlore. Après le nettoyage, rincer et sécher. Pour redonner du lustre et enlever les marques, faire suivre par une pulvérisation de produit Magic Spray* pour acier inoxydable (n° de pièce 20000008).

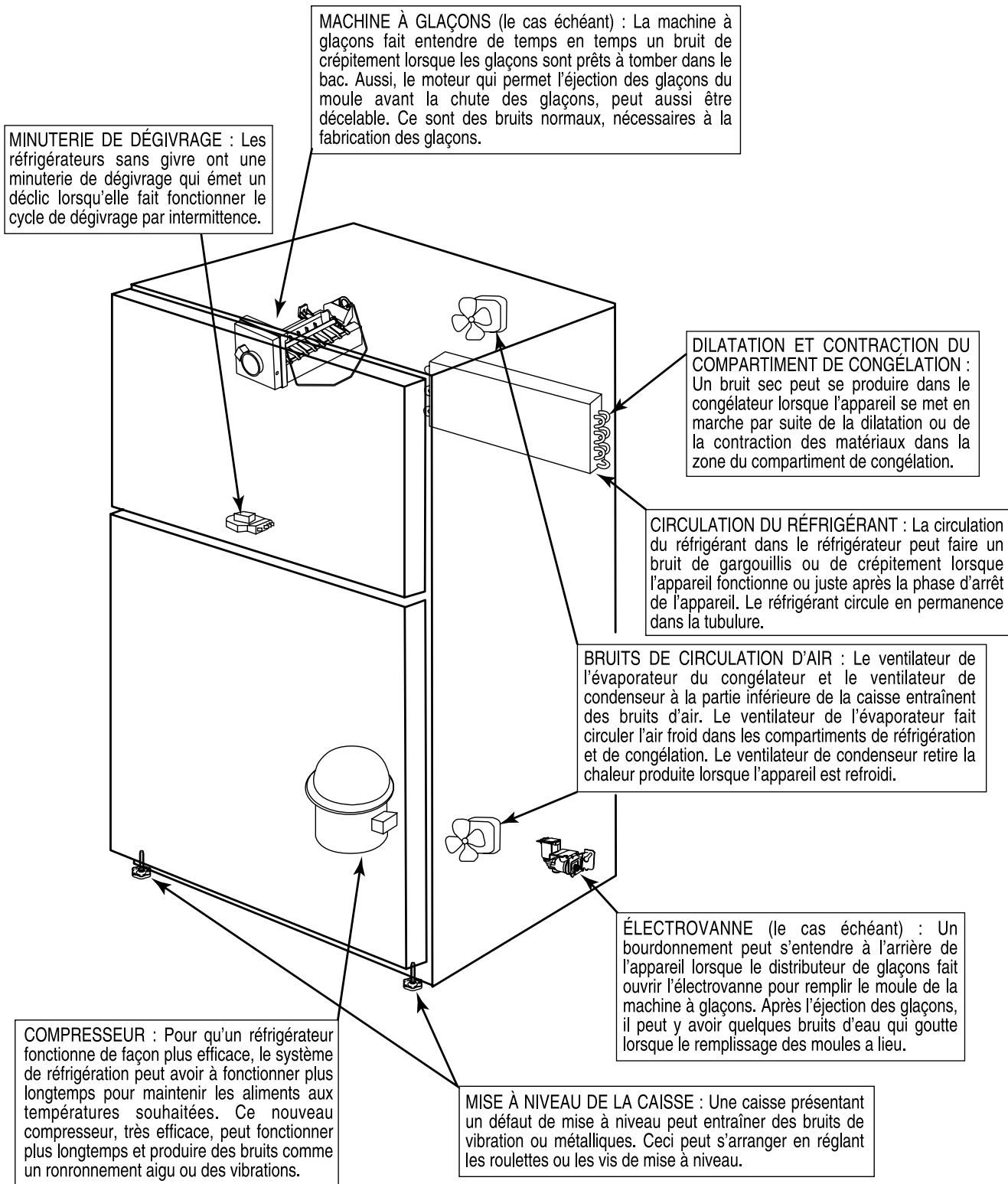
Intérieur des compartiments réfrigérateur et congélateur

Joints de porte	Bicarbonate de sodium et eau tiède Eau tiède et détergent doux	Utiliser 1-2 cuil. à soupe de bicarbonate de sodium par litre d'eau. Veiller à bien essorer l'excès d'eau de l'éponge ou du chiffon avant de nettoyer autour des commandes, des lampes ou des composants électriques.
Étagères en verre	Eau tiède et détergent doux Produit de nettoyage du verre Liquide pulvérisable doux	Laisser le verre se réchauffer à la température ambiante avant de l'immerger dans de l'eau tiède. Ne jamais utiliser de l'eau chaude.
Doublures internes – porte et intérieur	Eau tiède et détergent doux Bicarbonate de sodium et eau tiède	Voir ci-dessus pour la solution de bicarbonate de sodium. NE PAS utiliser de produit de nettoyage abrasif, détergent concentré, agent de blanchiment, solvant ou cire nettoyante pour nettoyer l'intérieur du réfrigérateur.
Tiroirs, bacs, oeufrier, balconnets, etc.	Eau tiède et détergent doux	Sécher parfaitement. NE PAS laver dans un lave-vaisselle automatique.

* Les noms de marque sont les marques de commerce des fabricants respectifs.

BRUITS NORMAUX

Des améliorations dans la conception du système de réfrigération peuvent produire des bruits dans le nouveau réfrigérateur qui sont différents ou qui n'étaient pas présents dans un ancien modèle. Ces améliorations ont été réalisées pour produire un réfrigérateur meilleur pour la préservation des aliments, plus efficace en énergie et plus silencieux. Parce que ces nouveaux appareils fonctionnent de façon plus silencieuse, l'on détecte des sons qui étaient présents dans les anciens appareils, mais qui étaient masqués par des niveaux de bruit plus élevés. Nombre de ces bruits sont normaux. Il faut noter que les surfaces adjacentes à un réfrigérateur, comme les murs, les sols et les armoires, peuvent amplifier ces bruits. Voici les bruits normaux qui peuvent être remarqués dans un réfrigérateur neuf.



AVANT D'APPELER

Essayer les solutions suivantes si les anomalies indiquées se manifestent...

	PROBLÈMES	CAUSES POSSIBLES	SOLUTIONS
FONCTIONNEMENT GÉNÉRAL	Le réfrigérateur ne fonctionne pas	Cordon d'alimentation non branché.	Brancher la fiche dans la prise.
		Prise sans courant	Remplacer le fusible. Réenclencher le disjoncteur.
		Commande de congélateur à la position d'ARRÊT (OFF).	Régler la commande du congélateur (page 21).
		Réfrigérateur en cours de dégivrage automatique.	Attendre 25 minutes que le dégivrage se termine.
		Température ambiante inférieure à 13 °C (55 °F).	Reinstaller l'appareil dans un environnement convenable (voir installation page 18).
FONCTIONNEMENT GÉNÉRAL	Le compresseur fonctionne trop fréquemment ou trop longtemps	Les réfrigérateurs d'aujourd'hui se mettent en marche et s'arrêtent plus souvent afin de maintenir des températures uniformes.	
		Normal à la mise en marche initiale pour les appareils neufs ou installés récemment.	Attendre 24 heures pour un refroidissement complet (voir commandes de température page 21).
		Ouvertures des portes prolongées ou fréquentes.	Ceci est normal. Minimiser les ouvertures de portes.
		Étanchéité déficiente des portes.	Vérifier si quelque chose n'empêche pas les portes de se fermer.
		Grille de plinthe obstruée.	Dégager pour permettre à l'air tiède de quitter l'appareil.
FONCTIONNEMENT GÉNÉRAL	Lumière ne fonctionnant pas	Ampoule grillée.	Débrancher le réfrigérateur et changer l'ampoule (page 27).
		Aucune électricité n'arrive à l'appareil.	Vérifier si le cordon est bien branché.
FONCTIONNEMENT GÉNÉRAL	Luminescence visible dans les événements du congélateur	Une luminescence rougeâtre ou un reflet est normal lors du dégivrage.	
FONCTIONNEMENT GÉNÉRAL	Air tiède sortant du bas de la caisse	Ceci est normal. Il s'agit de l'air qui a circulé au contact du condenseur.	
FONCTIONNEMENT GÉNÉRAL	Vibration de la caisse	Aplomb déficient de la caisse. Plancher insuffisamment ferme.	Mettre la caisse à niveau (page 18).
FONCTIONNEMENT GÉNÉRAL	Odeur dans les compartiments	Des aliments générateurs d'odeur ne sont pas couverts.	Les couvrir ou bien les envelopper. Nettoyer la caisse.
BRUITS	Bruits, sons et vibrations	Ceci est normal.	Voir Bruits Normaux page 29.
		Aplomb déficient de la caisse.	Mettre la caisse à niveau (page 18).
TEMPÉRATURE	Compartiments congélateur et réfrigérateur – température trop élevée (crème glacée molle)	Commande réglée à une température trop élevée. Ouvertures prolongées des portes.	Régler la commande de température (page 21). Minimiser l'ouverture des portes.
		Température ambiante inférieure à 13 °C (55 °F).	L'appareil ne fonctionne pas assez pour maintenir les bonnes températures.
		Les produits à teneur élevée en sucre peuvent ne pas durcir complètement même congelés.	
TEMPÉRATURE	Compartiments congélateur et réfrigérateur – température basse (congélation des aliments)	Commande réglée à une température trop basse.	Régler la commande de température (page 21).
GLAÇONS	Machine à glaçons ne fonctionne pas	Le bras de détection est en position relevée.	Baisser le bras de détection à la position de MARCHE (ON).
		Aplomb déficient de la caisse.	Mettre la caisse à niveau (page 18).
		Arrivée d'eau gênée ou fermée.	Raccorder l'alimentation d'eau ou enlever les obstructions.
		Température trop élevée dans le congélateur.	Régler la commande de température du congélateur (page 21).
GLAÇONS	Les glaçons ont un goût/ une odeur	Glaçons anciens.	Les jeter. Les glaçons peuvent absorber les odeurs, ce qui modifie leur goût.
		Mauvaise qualité de l'eau.	Prendre contact avec la compagnie locale de traitement d'eau.
		La nourriture transmet les odeurs/le goût aux glaçons.	Bien envelopper les aliments.
GLAÇONS	Glaçons collés dans le moule	Résidus de minéraux dans l'eau.	Essuyer les moules avec un linge trempé dans le vinaigre jusqu'à ce qu'ils soient propres.
GLAÇONS	Évaporation des glaçons	Utilisation limitée de glaçons.	Jeter les vieux glaçons.
HUMIDITÉ	Humidité sur la surface de la caisse entre les portes	Pas inhabituel par temps très humide.	
		Temps chaud et humide.	Ceci est normal.
	Humidité sur les parois internes ou dans les bacs	Ouvertures prolongées ou fréquentes des portes.	Minimiser les ouvertures des portes.
		Fermeture incorrecte d'une porte.	Vérifier si quelque chose n'empêche pas la porte de se fermer.
		Aliments incorrectement enveloppés.	Bien envelopper ou recouvrir tous les aliments.
	Assèchement des aliments	Bac à légumes pas parfaitement fermé.	Bien le fermer.
		Commandes de température trop basses.	Ajuster les commandes de température (page 21).
Paquets non parfaitement scellés ou enveloppés.		Bien envelopper ou recouvrir tous les aliments.	
HUMIDITÉ	Humidité excessive dans le bac à légumes	Aliments incorrectement enveloppés.	Bien envelopper ou recouvrir tous les aliments.
		Temps chaud et humide.	Minimiser les ouvertures des portes.

GARANTIE MAYTAG

Garantie complète d'une année

Durant une période d'un (1) an à compter de la date de l'achat initial, toute pièce qui se révélerait défectueuse dans des conditions normales d'usage ménager, sera réparée ou remplacée gratuitement.

Machine à glaçons – Lorsque la machine à glaçons est achetée avec le réfrigérateur et installée par le détaillant, elle fait partie du réfrigérateur aux fins de la garantie.

Garantie limitée – Principaux éléments du système de réfrigération

Deuxième à cinquième année – Après la première année suivant la date de l'achat au détail initial, jusqu'à la fin de la cinquième année, Maytag ServicesSM réparera ou remplacera, à son choix, gratuitement pour les pièces et la main-d'œuvre seulement, toute pièce du système de réfrigération scellé (comprenant le compresseur, l'évaporateur, le condenseur, le déshydrateur et la tubulure) et la doublure de caisse (à l'exclusion de la doublure de porte) qui se révéleraient défectueuses dans des conditions normales d'usage ménager. Le propriétaire devra assumer, dans le cas échéant, tous les autres frais, y compris les frais de kilométrage, transport, déplacement et diagnostic.

Garantie limitée – Autres pièces

Deuxième année – Les pièces autres que les principaux éléments du système de réfrigération, qui se révéleraient défectueuses dans des conditions normales d'usage ménager durant la deuxième année suivant la date de l'achat au détail initial, seront réparées ou fournies gratuitement pour la pièce elle-même. Le propriétaire devra assumer tous les autres frais, dans le cas échéant, y compris les frais de main-d'œuvre, kilométrage, transport, déplacement et diagnostic.

Veillez noter: Cette garantie complète et les garanties limitées ne s'appliquent qu'à un réfrigérateur situé aux États-Unis ou au Canada. Les réfrigérateurs situés ailleurs ne sont couverts que par les garanties limitées, y compris dans le cas de pièces qui se révéleraient défectueuses la première année.

Limites de responsabilité

Le garant ne sera responsable d'aucun dommage secondaire ou indirect, y compris perte de produits alimentaires. Certains états ou provinces ne permettent pas l'exclusion ou la limitation des dommages secondaires ou indirects; par conséquent, les limitations ou exclusions ci-dessus peuvent ne pas s'appliquer à votre cas.

Les garanties spécifiques formulées ci-dessus sont les SEULES que le fabricant accorde. Cette garantie vous confère des droits juridiques spécifiques et vous pouvez également jouir d'autres droits, variables d'un état à un autre ou d'une province à une autre.

NE SONT PAS COUVERTS PAR CETTE GARANTIE :

1. Les dommages ou dérangements dus à:
 - a. Mise en service, livraison ou entretien effectués incorrectement.
 - b. Toute réparation, modification, altération et tout réglage non autorisés par le fabricant ou par un prestataire de service après-vente agréé.
 - c. Accidents, mauvaise utilisation ou usage abusif ou déraisonnable.
 - d. Alimentation électrique (tension, intensité) incorrecte.
 - e. Réglage incorrect d'une commande.
2. Les garanties ne peuvent être honorées si les numéros de série d'origine ont été enlevés, modifiés ou ne sont pas facilement lisibles.
3. Ampoules.
4. Appareils achetés aux fins d'usage commercial ou industriel.
5. Les frais de visite d'un prestataire de service ou de service après-vente encourus pour les raisons suivantes:
 - a. Correction d'erreurs de mise en service.
 - b. Initiation de l'utilisateur à l'emploi de l'appareil.
 - c. Transport de l'appareil aux locaux du prestataire de service.
6. Dommages secondaires ou indirects subis par toute personne suite au non-respect de la garantie. Certains états ou provinces ne permettent pas l'exclusion ou la limitation des dommages secondaires ou indirects; par conséquent, les limitations ou exclusions ci-dessus peuvent ne pas s'appliquer à votre cas.

Pour acheter des accessoires ou des pièces de rechange non couverts par la garantie du produit :

Ayez vos numéros de modèle et de série sous la main. Appelez nos spécialistes – pièces, en composant le 1-877-232-6771 aux États-Unis, entre 7 h du matin et 7 h du soir, heure centrale, du lundi au vendredi. En dehors des États-Unis, contactez votre marchand local d'appareils ou partie le distributeur.

SI VOUS AVEZ BESOIN DE SERVICE APRÈS-VENTE

- Contactez le détaillant où vous avez acheté l'appareil ou contactez Maytag ServicesSM, service à la clientèle de Maytag, au 1-800-688-9900 aux É.-U., ou au 1-800-688-2002 au Canada pour connaître l'adresse d'un réparateur agréé.
- Conservez la preuve de l'achat pour vérifier le statut de la garantie. Reportez-vous à la GARANTIE pour obtenir plus d'informations sur les responsabilités du propriétaire quant au service en vertu de la garantie.
- Si le détaillant ou l'établissement de service après-vente ne peut résoudre le problème, écrivez à Maytag ServicesSM, Attn: CAIR® Center, P.O. Box 2370, Cleveland, TN 37320-2370, ou composez le **1-800-688-9900 aux É.-U. ou 1-800-688-2002 au Canada.**

Pour les clients des É.-U. avec ATS dans le cas d'un handicap de l'audition ou de l'élocution, composez le 1-800-688-2080.

REMARQUE : Lors de tout contact auprès de Maytag ServicesSM en raison d'un problème particulier, veuillez fournir l'information suivante.

- a. Vos nom, adresse et numéro de téléphone;
 - b. Numéro de modèle et numéro de série de l'appareil;
 - c. Nom et adresse du détaillant ou du réparateur;
 - d. Description claire du problème observé;
 - e. Preuve d'achat (facture de vente).
- Les guides de l'utilisateur, les manuels de service et les catalogues de pièces sont disponibles auprès de Maytag ServicesSM, service à la clientèle de Maytag.

GUÍA DEL USUARIO



Instalador: Por favor deje este manual junto con el electrodoméstico.

Consumidor: Por favor lea y conserve este manual para referencia futura. Conserve el recibo de compra y/o el cheque cancelado como comprobante de compra.

Número de Modelo

Número de Serie

Fecha de Compra

En nuestro afán de mejorar la calidad de nuestros electrodomésticos, puede que sea necesario modificar el electrodoméstico sin actualizar esta guía.

Si tiene preguntas, por favor escribanos (incluya el número de modelo y su número de teléfono) o llame a:


Maytag ServicesSM
Attn: CAIR[®] Center
P. O. Box 2370
Cleveland, IN 37320-2370
1-800-688-9900 EE.UU.
1-800-688-2002 Canadá
1-800-688-2080 (EE.UU. TTY para personas con problemas auditivos o del habla)
(De lunes a viernes, desde las 8:00 a.m. hasta las 8:00 p.m. Hora del Este)
Internet: <http://www.maytag.com>


Para información sobre servicio, ver la página 47

 **SEGURIDAD** **Página 33**

 **INSTALACION** **Páginas 34-36**

 **TEMPERATURA APROPIADA** **Página 37**

 **FABRICACION DE HIELO** **Página 38**

 **VISTA DEL INTERIOR** **Páginas 39-40**


 **SUGERENCIAS PARA ALMACENAR ALIMENTOS** ... **Páginas 41-42**

 **ALMACENAMIENTO DEL REFRIGERADOR** **Página 43**

 **CUIDADO Y LIMPIEZA** **Páginas 43-44**

 **SONIDOS DE FUNCIONAMIENTO** **Página 45**

 **ANTES DE SOLICITAR SERVICIO** **Página 46**

 **GARANTIA** **Página 47**

INSTRUCCIONES IMPORTANTES DE SEGURIDAD

LO QUE NECESITA SABER SOBRE LAS INSTRUCCIONES DE SEGURIDAD

Las advertencias e instrucciones importantes sobre seguridad que aparecen en este manual no están destinadas a cubrir todas las posibles circunstancias y situaciones que puedan ocurrir. Se debe ejercer sentido común, precaución y cuidado cuando instale, realice mantenimiento o haga funcionar el artefacto.

Siempre póngase en contacto con su distribuidor, agente de servicio o fabricante si surgen problemas o situaciones que usted no comprenda.

RECONOZCA LOS SIMBOLOS DE SEGURIDAD, ADVERTENCIAS, ETIQUETAS

⚠ PELIGRO

PELIGRO - Riesgos inmediatos que **CAUSARÁN** lesión personal grave o mortal.

⚠ ADVERTENCIA

ADVERTENCIA - Peligros o prácticas no seguras que **PODRÍAN** causar lesión personal grave o mortal.

⚠ PRECAUCIÓN

PRECAUCIÓN - Peligros o prácticas no seguras que **PODRÍAN** causar lesión personal menos grave o daños materiales o personales.

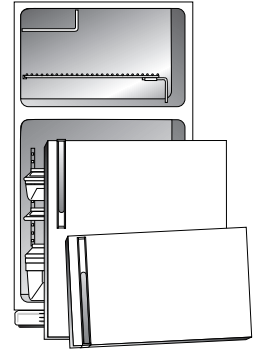
⚠ ADVERTENCIA

- Cuando utilice el electrodoméstico siempre siga las precauciones básicas.
- Use el refrigerador únicamente para el propósito que ha sido diseñado.
- Para prevenir la posibilidad de peligro debido a choques eléctricos, nunca enchufe el refrigerador en un tomacorriente que no haya sido debidamente puesto a tierra según los códigos eléctricos locales y nacionales. Ver la advertencia ⚠ y las instrucciones de puesta a tierra que se indican continuación.
- Desenchufe el refrigerador antes de limpiarlo o de reemplazar el foco.
- En caso de un corte de corriente eléctrica, trate de abrir la puerta lo menos posible. Si la falla eléctrica se prolonga demasiado, proteja los alimentos colocando bloques de hielo seco encima de los paquetes o averigüe si puede almacenarlos en un congelador provisional local. Los alimentos que se hayan descongelado completamente no deben congelarse de nuevo.
- Si el cordón eléctrico se deshilacha o se daña se debe reparar o reemplazar de inmediato. Nunca desenchufe su electrodoméstico tirando del cordón eléctrico.
- Su refrigerador no debe hacerse funcionar cerca de vapores explosivos.
- No permita que los niños se suban, se cuelguen o se paren en las parrillas del refrigerador.

IMPORTANTE: Los problemas de atrapamiento y asfixia de los niños no han quedado relegados al pasado. Los refrigeradores desechados o abandonados todavía son peligrosos...aún si se van a dejar allí "solamente

por unos días." Si va a descartar su refrigerador antiguo, por favor siga las siguientes instrucciones para ayudar a prevenir accidentes.

- Retire las puertas.
- Deje las parrillas en su lugar de modo que los niños no pueda entrar fácilmente.

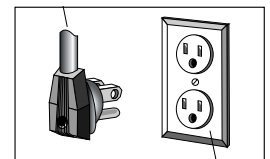


⚠ ADVERTENCIA

- Este electrodoméstico ha sido diseñado para funcionar con una fuente de energía eléctrica de 115 voltios, 15 amperios, 60 Hz. Se recomienda usar un circuito separado y puesto a tierra, exclusivamente para el refrigerador. No use un cable de extensión. No utilice ningún dispositivo que pueda alterar el rendimiento eléctrico de este electrodoméstico.

Este electrodoméstico está equipado con un enchufe de tres clavijas con puesta a tierra como protección contra el posible peligro de choques eléctricos. Se debe enchufar en un tomacorriente puesto a tierra. Si sólo se dispone de un tomacorriente estándar para enchufe de dos clavijas, el cliente tiene la responsabilidad y obligación de reemplazarlo por un tomacorriente para enchufe de tres clavijas debidamente puesto a tierra. Por ningún motivo corte o retire la tercera clavija (puesta a tierra) del cable eléctrico. No use un adaptador.

CORDON ELECTRICO CON ENCHUFE DE TRES CLAVIJAS CON PUESTA A TIERRA.



TOMACORRIENTE DEL TIPO CON PUESTA A TIERRA

CONSERVE ESTAS INSTRUCCIONES PARA REFERENCIA FUTURA

INSTALACION

Su refrigerador nuevo fue empacado cuidadosamente para el embarque. Retire y descarte los sujetadores de empaque (si se usaron) de las parrillas que se encuentran inmediatamente arriba de cada parrilla donde se enganchan en el marco. Para quitar los sujetadores plásticos muévalos hacia los lados y levántelos directamente hacia afuera.

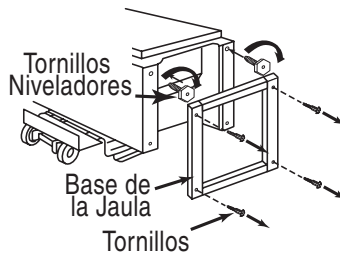
IMPORTANTE: No retire el aislamiento de espuma de los respiraderos ubicados en el techo del compartimiento de alimentos frescos.

UBICACION

- Deje que el aire circule libremente a través de la rejilla inferior delantera.
- Instale el refrigerador en un lugar donde la temperatura ambiente no descenderá a menos de 55° F (13° C). Con temperaturas inferiores a 55° F (13° C), el refrigerador no funcionará con la suficiente frecuencia para mantener la temperatura correcta en el congelador.
- Deje un espacio mínimo de 1/2" (1,5 cm) en ambos lados, arriba y detrás del refrigerador para facilitar la instalación. Si el refrigerador es colocado con el lado de la bisagra de la puerta contra una pared, es necesario dejar espacio adicional o invertir la puerta (ver página 36) para que la puerta pueda abrirse más.
- Tenga cuidado al instalar el refrigerador sobre pisos de vinilo o madera de modo que no se rayen o dañen. Se puede utilizar un pedazo de madera contrachapada, una alfombra u otro material para proteger el piso mientras se instala el refrigerador.
- El refrigerador debe permanecer vertical durante por lo menos 30 minutos antes de ser enchufado.

DESEMBALAJE

- Retire y conserve los tornillos niveladores que se encuentran en la base de la jaula de embalaje.
- Retire y descarte la base de la jaula y los tornillos.
- Usando pinzas ajustables instale los niveladores hasta el fondo en los agujeros ubicados en la esquina delantera del gabinete del refrigerador.



NIVELADO

Para mejorar la apariencia y mantener buen rendimiento, el refrigerador debe estar nivelado. Dependiendo del modelo, el refrigerador puede ser nivelado de dos maneras.

- Todos los modelos de refrigerador tienen tornillos niveladores en la base del gabinete debajo de cada esquina delantera. Los niveladores pueden ser ajustados girándolos hacia adentro o hacia afuera según sea requerido. Si el piso no está nivelado y es necesario elevar la parte trasera del refrigerador, use un pedazo de madera contrachapada u otro material similar. Para bloquear el gabinete en su lugar, gire hacia abajo ambos tornillos niveladores. (Ver figura 1.)

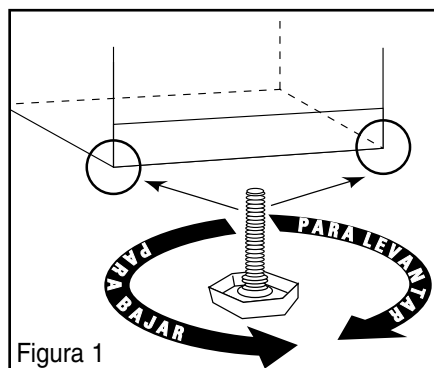
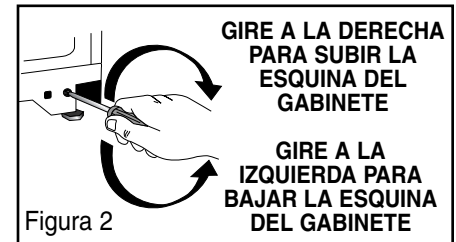
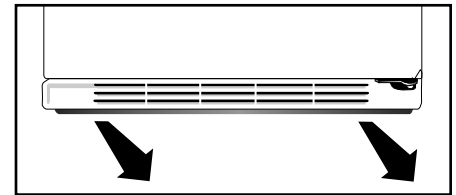


Figura 1

- Los modelos de refrigerador que tienen ruedas ajustables pueden ser nivelados retirando la rejilla inferior* y ajustando las ruedas con un destornillador o casquillo de 1/4". (Ver figura 2.)



- * Para sacar la rejilla inferior, sujete ambos extremos y tire de la rejilla derecho hacia afuera. Para volver a colocarla, alinee los clips a resorte con las aberturas redondas del gabinete y empuje cada extremo de la rejilla inferior hasta que entre en su lugar.



- Para obtener mejores resultados, después de nivelar el gabinete, abra y cierre las puertas y luego vuelva a nivelar.

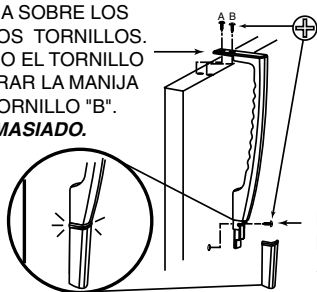
INSTALACION, CONT.

MANIJA INSTALADA EN LA PARTE SUPERIOR

MANIJA DE LA PUERTA DEL REFRIGERADOR SIN LA MOLDURA DE EXTENSION

1 ALINEE LA MANIJA SOBRE LOS AGUJEROS DE LOS TORNILLOS. INSTALE PRIMERO EL TORNILLO "A" PARA ASEGURAR LA MANIJA Y DESPUES EL TORNILLO "B". **NO APRIETE DEMASIADO.**

3 INSERTE A PRESION LA EXTENSION EN LA PARTE INFERIOR DE LA MANIJA.



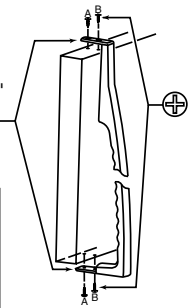
SE REQUIERE UN DESTORNILLADOR PHILLIPS NO. 2 PARA LA INSTALACION.

2 INSTALE EL TORNILLO EN EL AGUJERO DE LA MANIJA. **NO APRIETE DEMASIADO**

INSTRUCCIONES DE INSTALACION DE LA MANIJA SUPERIOR PARTE SUPERIOR DE LA PUERTA DEL CONGELADOR

ALINEE LA MANIJA SOBRE LOS AGUJEROS DE LOS TORNILLOS. INSTALE PRIMERO EL TORNILLO "A" PARA ASEGURAR LA MANIJA Y DESPUES LOS TORNILLOS "B". **NO APRIETE DEMASIADO.**

NOTA: TODOS LOS AGUJEROS DE LOS TORNILLOS DE LA MANIJA EN LA PARTE SUPERIOR E INFERIOR DE LAS PUERTAS ESTAN DIMENSIONADOS PARA TORNILLOS AUTORROSCANTES. **NO AGRANDE LOS AGUJEROS CON UN TALADRO.**



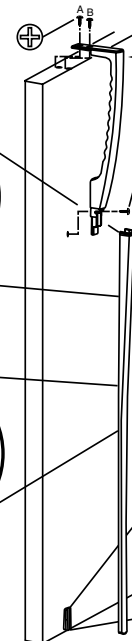
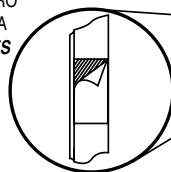
SE REQUIERE UN DESTORNILLADOR PHILLIPS NO. 2 PARA LA INSTALACION.

MANIJA DE LA PUERTA DEL REFRIGERADOR CON MOLDURA DE EXTENSION

SE REQUIERE UN DESTORNILLADOR PHILLIPS NO. 2 PARA LA INSTALACION.

5 COLOQUE A PRESION LA PARTE SUPERIOR DE LA EXTENSION EN LA PARTE INFERIOR DE LA MANIJA.

4 EN CIERTOS MODELOS RETIRE EL FORRO ADHESIVO DE LA CINTA. **DESPUES DEL PASO 5** APLIQUE PRESION.



1 ALINEE LA MANIJA SOBRE LOS AGUJEROS DE LOS TORNILLOS. INSTALE PRIMERO EL TORNILLO "A" PARA ASEGURAR LA MANIJA, SEGUIDO DEL TORNILLO "B". **NO APRIETE DEMASIADO.**

2 INSTALE EL TORNILLO EN EL AGUJERO DE LA MANIJA. **NO APRIETE DEMASIADO.**

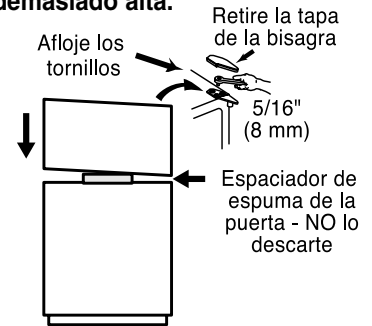
3 INSERTE LA EXTENSION DE LA MANIJA EN EL SOPORTE SITUADO EN LA PARTE INFERIOR DE LA PUERTA.

AJUSTE DE LA PUERTA

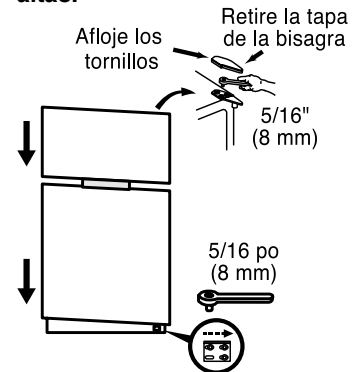
(SI ES NECESARIO)

La puerta debería estar nivelada si el gabinete está nivelado.

• La puerta del congelador está demasiado alta.

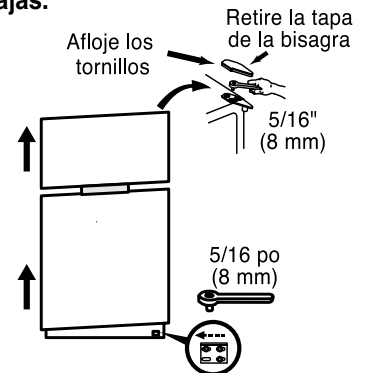


• Ambas puertas están demasiado altas.



Afloje los tornillos y deslice la bisagra inferior a la derecha para bajar las puertas.

• Ambas puertas están demasiado bajas.



Afloje los tornillos y deslice la bisagra inferior a la izquierda para elevar las puertas.

• Vuelva a apretar los tornillos después de hacer los ajustes.

* Para mayor información consulte las instrucciones de instalación.

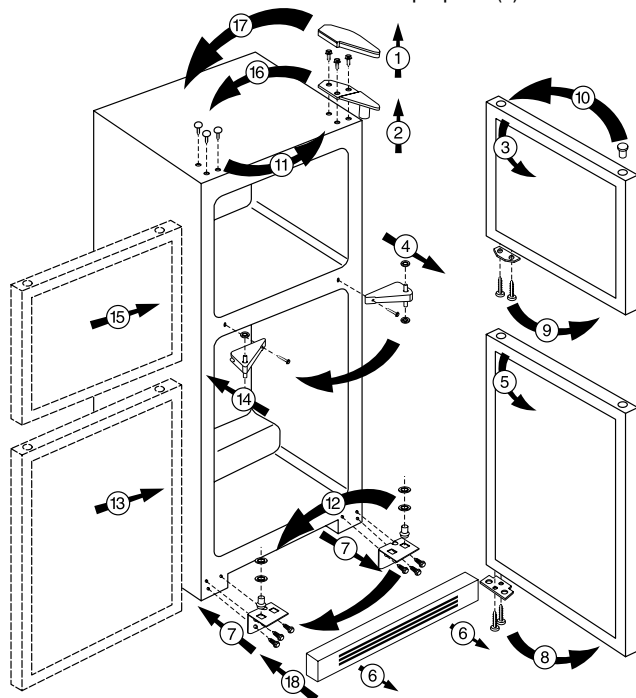
INVERSIÓN DE LAS PUERTAS

Herramientas Necesarias: Destornillador Phillips, llave de tubo y trinquete de 5/16", cuchillo para enmasillar o llave de una sola boca de 5/16".

1. Retire la tapa de la bisagra y colóquela a un lado.
2. Retire los tornillos y la bisagra con una llave de tubo de 5/16" y deje a un lado.
3. Levante cuidadosamente y retire la puerta del congelador.
4. Retire el tornillo y el brazo de la bisagra de la parte superior de la puerta del refrigerador.
5. Levante cuidadosamente y retire la puerta del refrigerador.
6. Retire la cubierta de la rejilla inferior y colóquela a un lado.
7. Retire la pala de la bisagra de la esquina inferior del refrigerador e instálela en el lado opuesto.
8. Retire la pala de la bisagra del lado inferior de la puerta del refrigerador y colóquela en el lado opuesto.
9. Retire la pala del lado inferior de la puerta del congelador y colóquela en el lado opuesto.

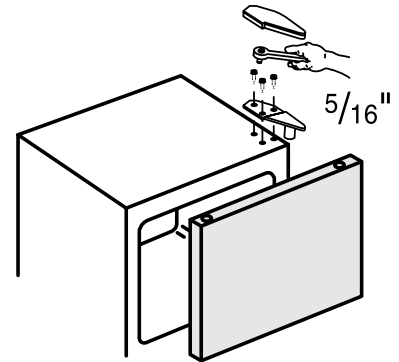
10. Retire los tapones situados en la parte superior de las puertas del congelador y del refrigerador y colóquelos en el lado opuesto.
11. Retire los tapones de los agujeros de los tornillos de la parte superior del gabinete y colóquelos en el lado opuesto.
12. Retire las arandelas y virgulitas del interior de la pala de la bisagra y colóquelas en el exterior de la pala de la bisagra.
13. Vuelva a colocar cuidadosamente la puerta del refrigerador en la pala de la bisagra en la esquina inferior.
14. Inserte el brazo de la bisagra en su lugar y asegúrelo con un tornillo.
15. Coloque cuidadosamente la puerta del congelador arriba del brazo de la bisagra. Use el espaciador de espuma de la puerta para determinar el espacio entre las puertas.*
16. Inserte la bisagra superior en su lugar en la puerta del congelador y apriete los tornillos con la llave de 5/16".
17. Instale a presión la tapa de la bisagra firmemente en su lugar.
18. Vuelva a colocar la rejilla inferior.

Recuerde enchufar su refrigerador y volver a programar los controles en el (los) ajuste(s) apropiado(s).

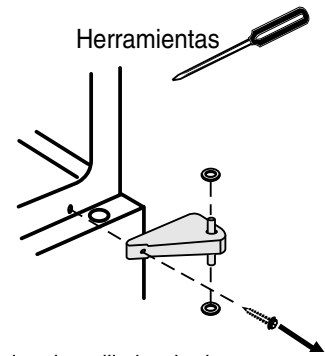


PARA RETIRAR LAS PUERTAS

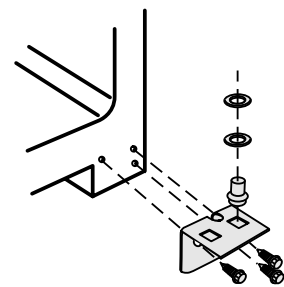
(SI ES NECESARIO)



Deposite la puerta sobre una superficie que no la raye.

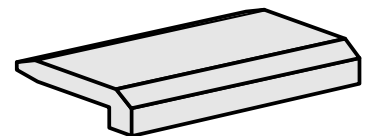


- A. Retire el tornillo izquierdo
- B. Abra la puerta y levántela. Deposite la puerta sobre una superficie que no la raye.



Retire el conjunto de la pala de la bisagra. Deposite la puerta sobre una superficie que no la ralle.

*



No descarte el espaciador de espuma de la puerta. Las puertas se asientan con el uso.

AJUSTE Y MANTENIMIENTO DE LAS TEMPERATURAS APROPIADAS

Su refrigerador está equipado con el control de frescura 'Dual Cool'™ Maytag para controlar las temperaturas de los alimentos frescos y congelados. Los controles están ubicados en la parte superior delantera del compartimiento del refrigerador. El control del congelador pone en marcha el sistema de enfriamiento.



AJUSTES INICIALES DEL CONTROL 'DUAL COOL'™

Después de enchufar el refrigerador, ajuste los controles.

- Para ajustar los controles, mueva el indicador corredizo a la izquierda o a la derecha según se desee.
- El control del refrigerador tiene ajustes desde 1 (más tibio) a 9 (más frío). Inicialmente coloque este control en el 5.
- El control del congelador tiene ajustes desde 1 (más tibio) hasta 9 (más frío). Inicialmente, ajuste este control en 5.
- Deje funcionar el refrigerador por lo menos de 8 a 12 horas antes de colocar los alimentos.

SUPERFICIES CALIENTES DEL GABINETE

A veces, la parte delantera del refrigerador puede sentirse caliente al tacto. Esta es una situación normal que ayuda a prevenir la condensación en el gabinete. Esta condición será más notoria cuando el refrigerador funciona por primera vez, durante tiempo caluroso y después de abrir la puerta de manera excesiva o prolongada.

AJUSTE DE LOS CONTROLES 'DUAL COOL'™

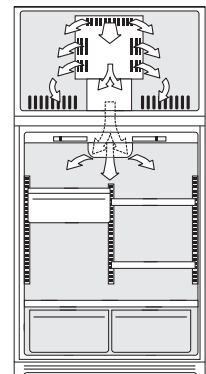
- Si 24 horas después de colocar los alimentos observa que uno o ambos compartimientos deberían estar más fríos o más calientes, ajuste el (los) control(es) según se indica en la tabla siguiente.
- Con la excepción de cuando se pone en funcionamiento el refrigerador por primera vez, no cambie ninguno de los controles más de un número a la vez.

- Espere 24 horas para que la temperatura se establezca antes de reajustar.
- Cualquier cambio en uno de los controles afectará la temperatura del otro compartimiento.

ASEGURE UNA BUENA CIRCULACIÓN DEL AIRE

Para asegurar temperaturas apropiadas, usted debe dejar que el aire circule entre el refrigerador y el congelador como se muestra en la ilustración.

NO bloquee ninguno de estos respiraderos con paquetes de alimentos. Si los respiraderos están bloqueados, se obstruirá el flujo del aire y ocurrirán problemas de temperatura y humedad.



GUIA DE CONTROL DE LA TEMPERATURA

Refrigerador demasiado tibio	Deslice el control del refrigerador al número siguiente más alto.
Refrigerador demasiado frío	Deslice el control del refrigerador al número siguiente más bajo.
Congelador demasiado tibio	Deslice el control del refrigerador al número siguiente más alto.
Congelador demasiado frío	Deslice el control del refrigerador al número siguiente más bajo.
Como APAGAR el refrigerador	Deslice el control del congelador a la posición "OFF" (Apagado)

NOTA: Al deslizar el control del congelador a la posición "OFF", se detiene el enfriamiento en ambos compartimientos. Pero no se corta la electricidad al refrigerador.

NOTA:

- Durante el ciclo automático de descongelación, puede observarse un resplandor/reflejo rojo en los orificios de ventilación en la pared posterior del compartimiento del congelador y oírse el sonido de gotas de agua cuando entran en contacto con el calentador de descongelación. Esto es normal durante el ciclo de descongelación.

FABRICACION DE HIELO

BANDEJAS DE CUBOS DE HIELO

Algunos modelos están equipados con bandejas de cubos de hielo y con un recipiente para guardar hielo. El recipiente calza perfectamente sobre las bandejas de los cubos de hielo. Para sacar los cubos de la bandeja, coloque la bandeja invertida sobre el recipiente y tuerza ambos extremos de la bandeja.

Dependiendo del modelo que usted ha seleccionado, el recipiente del hielo se desliza ya sea en rieles debajo de la rejilla de la bandeja de cubos de hielo o está colocado sobre las bandejas de cubos de hielo.

MAQUINA AUTOMATICA DE HACER HIELO (OPCIONAL)

NOTA:

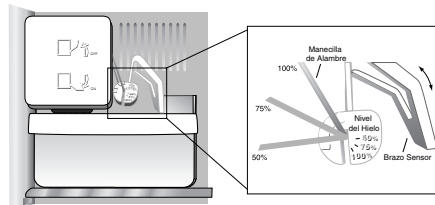
- Las guías de consumo de energía que están indicadas en el refrigerador al momento de la compra, no incluyen el uso de energía de la máquina de hacer hielo opcional.

Algunos modelos fabrican hielo automáticamente. El número del kit para fabricar hielo apropiado para su instalación en estos modelos, se encuentra en la placa de datos. El juego contiene las instrucciones de instalación y las instrucciones para la conexión del agua.

Otros modelos tienen una máquina de hacer hielo instalada en la fábrica. Conecte la máquina de hacer hielo al suministro de agua según las instrucciones provistas por separado con su refrigerador. **Es esencial un buen flujo de agua y un refrigerador nivelado para obtener un óptimo rendimiento de la máquina de hacer hielo.**

Después de que el refrigerador haya sido conectado al suministro de agua, mueva el brazo sensor hacia abajo. La máquina de hacer hielo se llenará con agua cuando el congelador alcance la temperatura correcta.

Algunas máquinas de hacer hielo están equipadas con un brazo sensor ajustable que permite ajustar la cantidad de hielo en su recipiente de almacenamiento del hielo para aquellas oportunidades en que se necesita menos hielo.



Para ajustar la cantidad de hielo producida: (modelos selectos) Gire la manecilla de alambre para proporcionar el nivel deseado de producción de hielo. El ajuste 100% proporciona una producción de hielo máxima.

- Pueden transcurrir de 8 a 12 horas antes de que la máquina de hacer hielo comience a producir cubos de hielo utilizables. Los primeros dos lotes probablemente contendrán cubos muy pequeños o de forma irregular debido al aire que puede haber en la tubería de suministro de agua.
- El lote inicial también puede contener impurezas provenientes de la tubería nueva del suministro de agua. Por lo tanto, es preferible descartar todos los cubos de los primeros dos o tres lotes.
- Cuando los cubos de hielo son expulsados es normal que varios cubos salgan unidos. Se podrán separar fácilmente. La máquina de hacer hielo continuará haciendo hielo hasta que la cantidad de cubos de hielo producida levante el brazo sensor, apagando así la máquina.
- Se pueden oír ciertos ruidos cuando se está fabricando el hielo. El motor puede hacer un leve zumbido, los cubos sonarán al caer sobre la bandeja vacía y la llave de agua puede emitir un chasquido o zumbido de vez en cuando.
- Si el hielo no se usa con frecuencia, los cubos se opacarán, disminuirán de tamaño, se pegarán y adquirirán mal sabor. Vacíe el depósito de hielo periódicamente y límpielo con agua tibia. Cerciérese de secar bien el depósito antes de volver a colocarlo en su lugar.

- Para sacar el recipiente del hielo, tire de él hacia adelante, alejándolo de la máquina de hacer hielo. Para evitar que la máquina de hacer hielo produzca cubos cuando el recipiente haya sido quitado, apague la máquina de hacer hielo levantando el brazo sensor.
- Para volver a colocar el recipiente del hielo, invierta el procedimiento anterior. Ponga en marcha la máquina de hacer hielo bajando el brazo sensor.
- No se deben colocar bebidas ni alimentos en el depósito del hielo para enfriarlos rápidamente. Estos artículos pueden bloquear el brazo sensor, afectando el funcionamiento de la máquina de fabricar hielo.
- Cuando el suministro de agua vaya a ser interrumpido por varias horas, apague la máquina de hacer hielo levantando la manecilla.

⚠ ADVERTENCIA

PARA SU SEGURIDAD

No introduzca los dedos o la mano en el mecanismo automático de hacer hielo mientras el refrigerador esté conectado. Esto le protegerá contra posibles lesiones y también evitará interferencia con las piezas móviles del mecanismo eyector y del calentador que expulsa los cubos.

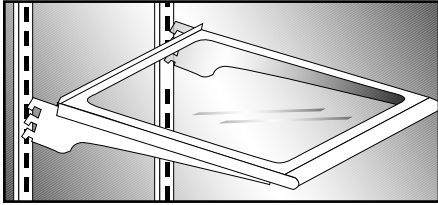
En raras ocasiones, los cubos de hielo pueden salir descoloridos, mostrando generalmente un color azul verdoso. La causa de esta rara decoloración es una combinación de factores tales como ciertas características del agua local, la plomería de la casa y la acumulación de sales de cobre en la tubería inactiva de suministro de agua que abastece a la máquina de hielo.

El consumo continuo de los cubos descoloridos puede ser nocivo para la salud. Si observa la mencionada decoloración, descarte los cubos de hielo y póngase en contacto con su Distribuidor para comprar e instalar un filtro en la tubería del agua.

VISTA DEL INTERIOR

PARRILLAS

Su refrigerador tiene ya sea parrillas **'Spill-Catcher™'** o **parrillas de vidrio templado**. Las parrillas **'Spill-Catcher™'** tienen un borde retenedor de derrames que facilita la limpieza y algunas están provistas de la característica **'Easy Glide'** que permite deslizarla hacia afuera.



Para deslizar la parrilla hacia afuera (modelos selectos), sujete la parte delantera y tire de ella hacia adelante. Empuje la parrilla hacia adentro para volverla a su lugar.

Para sacar una parrilla, levante ligeramente la parte trasera de la parrilla y tire de la parrilla derecho hacia afuera.

Para bloquear una parrilla en otra posición, levante el borde delantero de la parrilla. Inserte los ganchos en las aberturas deseadas del marco y deje que la parrilla entre en su lugar, asegurándose de que quede firmemente bloqueada en la parte de atrás.

⚠ ADVERTENCIA

➤ **Nunca intente ajustar una parrilla que tenga alimentos sobre ella (excepto en el caso de la parrilla Elevator™).**

PARRILLA ELEVATOR™

El compartimiento de los alimentos frescos puede estar equipado con una **Parrilla Elevator™**. Esta parrilla está equipada con un borde para retener derrames para facilitar la limpieza. También puede deslizarse hacia afuera para permitir fácil acceso a los alimentos que están guardados en la parte trasera de la parrilla.

Esta parrilla puede ser cambiada de posición, hacia arriba o hacia abajo, sin tener que sacar los alimentos que están en ella. Para ajustar la parrilla Elevator™ tire hacia afuera la perilla de la manivela. Gire la manivela a la derecha para elevar la altura de la parrilla y a la izquierda para bajar la altura de la parrilla.

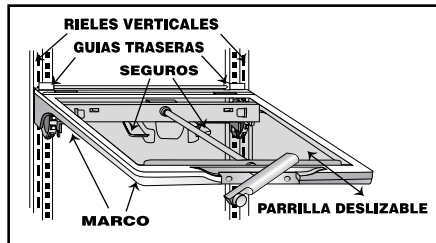
Para sacar la parrilla Elevator™ para su limpieza ocasional, retire todos los alimentos de la parrilla y tire de la parrilla hacia adelante. Cuando la parrilla se detenga, oprima las lengüetas ubicadas debajo de los bordes exteriores, luego continúe tirando hacia adelante hasta que se salga del marco.

Para volver a instalar la parrilla alinee la parrilla con el marco y empujela completamente hacia atrás. (No es necesario oprimir las lengüetas para la reinstalación).

Durante uso normal, la parrilla Elevator™ con el conjunto del marco NO necesita ser sacada. Aunque improbable y no se recomienda hacerlo, el procedimiento correcto para retirar la parrilla es el siguiente:

Retire todos los alimentos de la parrilla y levántela a su posición más elevada posible. Mientras sujeta la parrilla y el marco desde la parte delantera, oprima ambos seguros hacia adentro. Levante ligeramente e incline el conjunto del marco para permitir que las guías traseras salgan de los rieles verticales.

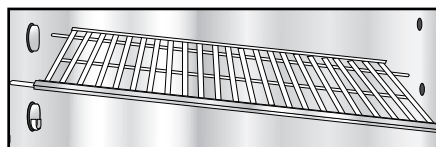
Para volver a instalar, incline el conjunto del marco a la vez que oprime ambos seguros, vuelva a colocar la guía trasera detrás de los rieles verticales. Cuando la parrilla está nivelada, suelte los seguros permitiendo que la parrilla se enganche en su posición correcta.



PARRILLA AJUSTABLE DEL CONGELADOR

(modelos selectos)

Para retirar la parrilla, levante el extremo izquierdo aproximadamente 3 pulgadas; retire las barras del extremo derecho fuera de las cavidades de la pared. Para volver a colocar la parrilla, coloque nuevamente los tapones de soporte removibles en la pared izquierda a la altura deseada e invierta el procedimiento anterior.

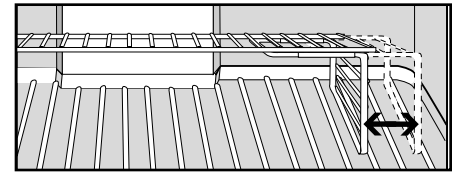


PARRILLA EXTENSIBLE A TODO EL ANCHO DEL CONGELADOR

(modelos selectos)

La parrilla se ajusta lateralmente para abrir un espacio de mayor altura para paquetes altos, tales como de pizza. La pata del lado izquierdo de la parrilla se desliza para lograr este ajuste.

La parrilla además se puede ajustar en dos alturas. Para ajustar la altura de la parrilla, saque la parrilla del congelador. Deslice la pata fuera de las canaletas y vuelva a colocar la pata en la posición de altura alterna. Vuelva a colocar la parrilla en el congelador, insertando el extremo izquierdo en las cavidades del forro del congelador.



PARRILLA GEMELA EXTENSIBLE DEL CONGELADOR

(modelos selectos)

Esta característica mejora la organización de los alimentos en el congelador agregando otra parrilla. Para acomodar diversos tipos de alimentos congelados, se puede ajustar la altura de las parrillas. La parrilla inferior puede extenderse lateralmente (como se describió anteriormente) ofreciendo espacio para artículos más altos.

ALMACENAMIENTO EN LA PUERTA

Los **compartimientos removibles de la puerta** (modelos selectos) son lo suficientemente espaciosos para acomodar envases de más de un galón de capacidad. Son ajustables y pueden ser retirados con facilidad.

Para retirar, levante la parte delantera del compartimiento hacia arriba hasta que se salga de los retenes del forro de la puerta y luego tire del compartimiento derecho hacia afuera.

Para volver a colocar, invierta el procedimiento anterior.

Otros modelos están equipados con **Compartimientos Fijos de la Puerta** con capacidad para envases de más de un galón.

Algunas parrillas de la puerta del refrigerador y congelador tienen **Divisiones** para asegurar botellas y otros envases en su lugar cuando la puerta se abre o se cierra. Las divisiones se ajustan fácilmente deslizando de un lado al otro.

El **retén de botellas altas** (modelos selectos) ha sido diseñado para evitar que las botellas altas se inclinen hacia delante. Es fácilmente ajustable deslizando de un lado a otro.

PARRILLAS

La **parrilla para envases múltiples** (modelos selectos) está suspendida de una de las parrillas a prueba de derrames del refrigerador. Se engancha sobre los alambres del marco debajo de la parrilla. El diseño inclinado permite que los envases rueden hacia delante cada vez que se saca uno. (Esta parrilla no puede instalarse debajo de una parrilla Elevator™).

La **parrilla para uso múltiple** (modelos selectos) ofrece un lugar para guardar vino en posición horizontal. La parrilla también puede sostener bebidas en lata o una caja de huevos.

Coloque la parrilla de modo que descansa en el lado izquierdo de una parrilla del refrigerador (esta parrilla no puede ser colocada sobre una parrilla Elevator™).

AREAS ESPECIALES DE CONSERVACION DE ALIMENTOS

Su refrigerador tiene ya sea una **Gaveta para Bocadillos** o una **Gaveta Adjusti-Temp™**.

Para los modelos con la gaveta **Adjusti-Temp™**, se ha provisto un control en la parte delantera superior de la gaveta. Simplemente deslice la perilla de control a la izquierda o a la derecha para ajustar la temperatura interna de la gaveta.

➤ Para guardar queso, deslice el control a la izquierda. Para lograr una temperatura más baja dentro de la gaveta cuando guarde carne fresca, carne de ave o pescado, deslice el control a la derecha.



La **Gaveta para Bocadillos** no tiene temperatura ajustable.

Para sacar la gaveta para bocadillos o la gaveta Adjusti-Temp para su limpieza:

- tire de la gaveta hacia afuera hasta el tope
- levante la gaveta ligeramente hacia arriba y sáquela hacia afuera

Para volver a colocar la gaveta, invierta el procedimiento anterior.

Esta gaveta puede ser colocada según se desee en el lado izquierdo o derecho del gabinete del refrigerador.

Para mejores resultados, mantenga la gaveta bien cerrada.

Las **gavetas de las verduras** proporcionan espacio para guardar frutas y verduras. La gaveta de las verduras tiene un control de humedad en la parrilla situada sobre cada una de las gavetas de las verduras.

- Para guardar frutas, deslice el control de la gaveta a la izquierda a fin de proporcionar menos humedad en la gaveta.
- Para guardar verduras, deslice el control a la derecha para proporcionar más humedad en la gaveta.



Para retirar la gaveta de las verduras para limpiarla:

- Tire de la gaveta de las verduras hacia afuera hasta el tope
- Incline hacia arriba la parte delantera de la gaveta y tire de ella hacia afuera

Para volver a colocar la gaveta de las verduras:

- Alinee la gaveta en los rieles
- Levante la parte delantera de la gaveta y deslícela hasta su lugar.

Para obtener mejores resultados, mantenga las gavetas de las verduras herméticamente cerradas.

Para retirar la parrilla situada sobre la gaveta de las verduras:

- levante el borde delantero de la parrilla
- tire de la parrilla directamente hacia afuera

Para volver a colocar la parrilla de la gaveta de las verduras:

- coloque las barras posteriores en el soporte
- empuje la parrilla hacia el fondo hasta que el borde delantero pueda ser bajado a su lugar

Su refrigerador puede venir equipado con una **bandeja para huevos** (el estilo puede ser diferente). Se puede retirar para lavarla o llevarla donde la necesite.

Para usar el **compartimiento de productos lácteos**, levante la tapa. El compartimiento de productos lácteos puede estar equipado con una **división** para asegurar los alimentos en sus lugares. Si su modelo tiene una división en este compartimiento, simplemente deslícelo de un lado al otro para colocarlo en el lugar deseado.

En algunos modelos, el compartimiento de productos lácteos es removible.

La gaveta **'SafeKeeper'** (modelos selectos) es una combinación de depósito removible y gaveta para usos múltiples. Si coloca la palanca (situada en el costado derecho superior) hacia adelante, la gaveta se puede abrir. La gaveta ofrece un espacio cerrado conveniente para guardar tales artículos como pilas, rollos de fotos y medicinas.

Los **depósitos inclinables de la puerta del refrigerador** (modelos selectos) son ideales para guardar envases de formas extrañas tales como botellas de un litro y alimentos en bolsas. Inclinando los depósitos hacia afuera, queda espacio abierto para guardar o sacar convenientemente los artículos.

La **canasta deslizable del congelador** (modelos selectos) se encuentra en el compartimiento principal del congelador. Es un área conveniente para tener fácil acceso a los artículos guardados en la parte trasera del congelador. Deslice la canasta hacia afuera para guardar o retirar alimentos congelados.

Para sacar la canasta:

- tire de la canasta hasta que llegue al tope
- levante y tire de la canasta hacia afuera

Para volver a colocar la canasta, invierta el procedimiento anterior.

La **canasta para alimentos congelados** (modelos selectos) se encuentra en la parrilla inferior de la puerta del congelador. En la canasta se provee espacio para aquellos alimentos congelados que tienden a moverse o deslizarse (tal como verduras en bolsas).

SUGERENCIAS PARA CONSERVAR LOS ALIMENTOS

ALMACENAMIENTO DE ALIMENTOS FRESCOS

- La temperatura del compartimiento de alimentos frescos del refrigerador se debe mantener entre 34° F y 40° F (1° C y 4° C). La temperatura ideal es de 37° F (3° C). Para verificar la temperatura, coloque un termómetro para electrodomésticos en un vaso de agua en el centro del refrigerador. Espere 24 horas antes de verificar la temperatura. Si la temperatura sobrepasa 40° F (4° C) ajuste los controles según se explica en la página 37.
- Evite sobrecargar las parrillas del refrigerador pues esto reduce la circulación de aire alrededor de los alimentos y ocasiona enfriamiento irregular.

FRUTAS Y VERDURAS

- La gaveta de las verduras retiene la humedad para ayudar a preservar la frescura de las frutas y verduras por períodos más prolongados. (Consulte la página 40).
- Clasifique las frutas y verduras antes de guardarlas y consuma primero las que se encuentren maduras o magulladas. Descarte aquellas que muestren señales de descomposición.
- Siempre envuelva los alimentos que despiden olor tales como cebollas y repollo de modo que el olor no se transfiera a otros alimentos.
- Aunque las verduras necesitan cierta cantidad de humedad para retener la frescura, demasiada humedad puede acortar el tiempo de conservación (especialmente las verduras con hojas). Seque bien las verduras antes de guardarlas.

QUESOS Y CARNES

- La carne cruda y de ave debe envolverse muy bien para que no ocurran derrames y contaminación de otros alimentos o superficies.
- A veces se puede formar un moho en la superficie de los quesos duros (Suizo, Cheddar y Parmesano). Corte por lo menos una pulgada (2 cm) alrededor y debajo del área afectada. Mantenga el cor-

tador alejado del moho. El queso restante retendrá su sabor y se puede comer sin preocupación. **NO** trate de conservar las rodajas individuales de queso, queso suave, requesón, crema, nata cortada o yogur cuando tengan señales de moho.

PRODUCTOS LACTEOS

- La mayoría de los productos lácteos como la leche, yogur, nata cortada y requesón muestran la fecha de vencimiento en sus envases para asegurar su correcta duración. Guarde estos alimentos en los envases originales y refrigérelos inmediatamente y después de cada uso.

CONSERVACION DE ALIMENTOS CONGELADOS

- El compartimiento del congelador de un refrigerador debe ser mantenido aproximadamente entre a 0° F (-18° C). Para verificar la temperatura, coloque un termómetro para electrodomésticos entre los paquetes congelados y espere 24 horas antes de verificarla. Si la temperatura es superior a 0° F (-18° C), ajuste el control como se indica en la página 37.
- El congelador funcionará más eficazmente si se ocupa por lo menos dos terceras partes de su capacidad.

ENVOLTURA DE ALIMENTOS PARA SU CONGELACIÓN

- Para reducir la deshidratación y el deterioro de la calidad, use papel de aluminio, envoltura para alimentos congelados, bolsas especiales para alimentos congelados o envases herméticamente cerrados. Extraiga la mayor cantidad posible de aire del paquete y asegúrese de que esté bien sellado, el aire atrapado puede resecar, cambiar de color o dar mal sabor (quemadura de congelación) a los alimentos.
- Envuelva bien las carnes frescas y de ave con envoltura especial para alimentos congelados antes de guardarlas.
- **No congele nuevamente la carne que se haya descongelado completamente.**

COMO CARGAR EL CONGELADOR

- Evite guardar demasiados alimentos calientes en el refrigerador de una sola vez. Esto sobrecarga el congelador, reduce la velocidad de congelación y puede elevar la temperatura de los alimentos congelados.
- Deje un espacio entre los paquetes de manera que el aire pueda circular libremente para que los alimentos se congelen lo más rápido posible.
- Evite guardar alimentos difíciles de congelar tales como helado y jugo de naranja concentrado en las parrillas de la puerta del congelador. Es preferible guardar estos alimentos en el interior del congelador donde la temperatura fluctúa menos al abrir la puerta.

Consulte la Tabla de Conservación de los Alimentos en la página 42 para los tiempos de almacenamiento aproximados.

TABLA DE CONSERVACION DE LOS ALIMENTOS

(Los tiempos de conservación son aproximados y pueden variar dependiendo del tipo de empaque, temperatura de almacenamiento y la calidad del alimento cuando fué comprado.)

Alimentos	Refrigerador	Congelador	Sugerencias para el Almacenamiento
PRODUCTOS LACTEOS			
Mantequilla	1 mes	6 a 9 meses	Envolver bien o cubrir.
Leche y Crema	1 semana	No se recomienda	Verifique la fecha del envase. Cierre firmemente. No vuelva a colocar las porciones no usadas en el envase original. No congele la crema a menos que sea batida. Envolver bien.
Queso en crema, pasta de queso y alimentos de queso	1 a 2 semanas	No se recomienda	Guardar en el envase original. Verificar la fecha del envase.
Requesón	3 a 5 días	No se recomienda	
Crema Acida	10 días		
Queso duro (Suizo, Cheddar y Parmesano)	1 a 2 meses	4 a 6 meses Puede quedar migajoso	Envolver bien. Cortar cualquier moho.
HUEVOS			
Huevos enteros	3 semanas	No se recomienda	Refrigerar colocando el extremo pequeño hacia abajo.
Claras o yemas restantes	2 a 4 días	9 a 12 meses	Por cada taza de yemas que se desee congelar, agregue 1 cucharadita de azúcar si se van a usar en dulces o una cucharadita de sal si es para platos no dulces.
FRUTAS			
Manzanas	1 mes	8 meses (cocinadas)	Puede también guardarse verdes o manzanas duras a una temperatura de 60 a 70° F (15 a 21° C).
Plátanos	2 a 4 días	6 meses (enteros/pelados)	Madurar a temperatura ambiente antes de ser refrigeradas. Los plátanos y los aguacates se oscurecen cuando son refrigerados.
Peras, ciruelas, aguacate	3 a 4 días	No se recomienda	
Fresas, cerezas, damascos	2 a 3 días	6 meses	
Uvas	3 a 5 días	1 mes (enteras)	
Frutas ácidas	1 a 2 semanas	No se recomienda	También se puede guardar a 60 a 70° F (15 a 21° C). Si se refrigeran, guárdelas sin cubrirías.
Piña, cortada	2 a 3 días	6 a 12 meses	No madurarán después de la compra. Use rápidamente.
VERDURAS			
Espárragos	1 a 2 días	8 a 10 meses	No lave antes de refrigerar. Guarde en la gaveta de las verduras.
Repollitos de Bruselas, brócoli, coliflor, chícharos, frijoles, cebollas, pimientos	3 a 5 días	8 a 10 meses	Envuelva los alimentos que producen olor. Deje los chícharos en las vainas.
Repollo, apio	1 a 2 semanas	No se recomienda	Envuelva los alimentos que producen olor y refrigere en la gaveta de las verduras.
Zanahorias, pastinaca, betarraga y nabos	7 a 10 días	8 a 10 meses	Retire las hojas. Envuelva los alimentos que producen olor y refrigere en la gaveta de las verduras.
Lechuga	7 a 10 días	No se recomienda	
AVES Y PESCADO			
Pollo y pavo, entero	1 a 2 días	12 meses	Mantener en el envase original para refrigeración. Coloque en la gaveta de la carne y queso. Cuando congele por más de 2 semanas, envuelva nuevamente con envoltura para congelador.
Pollo y pavo, presas	1 a 2 días	9 meses	
Pescado	1 a 2 días	2 a 6 meses	
CARNES			
Tocino	7 días	1 mes	
Res o cordero, molida	1 a 2 días	3 a 4 meses	Las carnes frescas pueden ser guardadas en el envase original para su refrigeración. Colóquelas en la gaveta de la carne y queso. Cuando congele por más de 2 semanas, envuelva nuevamente con papel para congelador.
Res o ternera, asada y bistec	3 a 5 días	6 a 9 meses	
Jamón, completamente cocido, entero	7 días	1 a 2 meses	
mitad	5 días	1 a 2 meses	
rebanadas	3 días	1 a 2 meses	
Fiambres	3 a 5 días	1 a 2 meses	Los fiambres sin abrir envasados al vacío pueden ser guardados durante 2 semanas en la gaveta de la carne y queso.
Cerdo, asado	3 a 5 días	4 a 6 meses	
Cerdo, chuletas	3 a 5 días	4 meses	
Salchichas, molidas	1 a 2 días	1 a 2 meses	
Salchichas, ahumadas	7 días	1 a 2 meses	
Ternera	3 a 5 días	4 a 6 meses	
Salchichas	7 días	1 mes	Las carnes procesadas deben ser bien envueltas y guardadas en la gaveta de la carne y queso.

Fuentes: Ministerio de Agricultura de los Estados Unidos; Instituto de Mercadotecnia de Alimentos; Servicio de Extensión Cooperativa, Universidad Estatal de Iowa.

ALMACENAMIENTO DEL REFRIGERADOR

VACACIONES

Si estará ausente menos de un mes, deje los controles en la posición normal.

Durante ausencias más prolongadas:

1. Retire todos los alimentos.

2. Apague la máquina de hacer hielo (si está instalada) y cierre la llave del suministro de agua al refrigerador.
3. Desenchufe el refrigerador.
4. Limpie y seque el refrigerador meticulosamente.
5. Deje las puertas abiertas para evitar malos olores.

MUDANZA

Para la mudanza, siga los pasos 1 al 4 de la sección Vacaciones. Además, retire y empaque con cuidado todas las piezas que se pueden desmontar fácilmente. Transporte el refrigerador en posición vertical con las puertas cerradas y aseguradas con cinta adhesiva.

CUIDADO Y LIMPIEZA

Consulte la tabla en la página siguiente para las instrucciones específicas de limpieza del refrigerador.

⚠ PRECAUCIÓN

- **Desenchufe el cordón eléctrico antes de la limpieza.**

LIMPIEZA DEBAJO DEL REFRIGERADOR

El refrigerador puede rodarse hacia afuera para limpiar el piso debajo de él. Levante los tornillos niveladores si están bloqueados (ver página 34). Tire del refrigerador directamente hacia afuera de la pared.

REEMPLAZO DE UN FOCO

⚠ PRECAUCIÓN

- **Desenchufe el cordón eléctrico antes de reemplazar el (los) foco(s). Póngase guantes como protección contra posibles vidrios rotos.**

Siempre use un foco estándar de 40 o 60 watts.

Refrigerador

Hay dos focos situados debajo de la parte superior del compartimiento del refrigerador, en cada lado de la caja del control Dual Cool™.

- Sujete cuidadosamente el foco que se encuentra detrás de la cubierta.
- Destornille el foco y reemplácelo.

Congelador

La luz del congelador (modelos selectos) se encuentra en la pared trasera, cerca de la esquina superior derecha.

Para sacar la cubierta del foco:

- Sujete la parte superior e inferior de la cubierta del foco. Oprima en el área de las lengüetas de instalación, aplicando suficiente presión como para desenganchar las lengüetas. Al mismo tiempo, gire la cubierta hacia abajo y sáquela.
- Destornille el foco y reemplácelo.
- Vuelva a colocar la cubierta del foco girándola nuevamente a su lugar y colocando las lengüetas a presión en las ranuras correspondientes.

CONDENSADOR 'NO CLEAN'™ DE USO COMERCIAL

Un condensador limpio significa rendimiento más eficaz del refrigerador. Gracias al diseño único del condensador 'No Clean'™, ya no hay necesidad de efectuar la limpieza rutinaria del condensador para uso doméstico normal.

Algunos entornos pueden ser muy polvorientos o grasosos. En tales casos, el condensador se puede limpiar periódicamente para asegurar el máximo rendimiento.

SUGERENCIAS PARA AHORRAR ELECTRICIDAD

- Coloque el refrigerador lejos de otros electrodomésticos que generen calor como la estufa o el lavavajillas, orificios de calefacción y luz solar directa.
- Nivele el refrigerador y no obstruya la ventilación alrededor de la rejilla delantera.
- Mantenga el congelador casi lleno para que escape menos aire frío al abrir la puerta. Cuando dos terceras partes del congelador estén llenas, coloque cajas de cartón de leche a medio llenar con agua en el congelador.
- Espere que los alimentos se enfríen ligeramente antes de colocarlos en el refrigerador o congelador.
- Tape los líquidos.
- Limpie la humedad del exterior de los envases antes de colocarlos en el refrigerador.
- Evite abrir las puertas con demasiada frecuencia.

⚠ PRECAUCIÓN

- **Desenchufe el cordón eléctrico antes de la limpieza. No toque las superficies refrigeradas con las manos húmedas o mojadas. Los objetos mojados se adhieren a las superficies metálicas. Antes de limpiar el congelador, espere que se descongele y entibie. Deje que las parrillas de vidrio se entibien antes de sumergirlas en agua tibia.**

Tabla de Limpieza del Refrigerador

Exterior del Refrigerador

Pieza	Sugerencias y Advertencias	
Rejilla inferior	Detergente suave y agua tibia Detergentes líquidos suaves en aerosol Accesorio de la aspiradora	Retire la rejilla inferior sujetando los extremos y tirándola derecho hacia afuera. Para volver a colocar, alinee los clips con las aberturas redondas del gabinete y empuje cada extremo hacia adentro hasta que la rejilla inferior entre en su lugar a presión.
Condensador	Escobilla de Limpieza (Pieza No. 20001017) disponible de su Distribuidor.	No necesita limpiarlo a menos que esté ubicado en un lugar grasoso, polvoriento o muy transitado por animales domésticos (Ver página 43).
Manijas de la puerta	Detergente suave y agua tibia Detergentes líquidos suaves en aerosol	
Superficies metálicas pintadas: gabinetes, puertas	Detergente suave y agua tibia Detergentes líquidos suaves en aerosol	Seque con un paño suave y limpio. Nunca limpie el refrigerador con un paño sucio o una toalla mojada. Estos pueden dejar residuos que pueden rayar o debilitar la pintura. No use esponjas de alambre, productos de limpieza en polvo, blanqueador o productos que contengan blanqueador. Estos productos pueden rayar y corroer el acabado de la pintura. No use cera en las piezas de plástico o de vinilo.
Puertas de acero inoxidable (modelos selectos)	Limpieza leve: detergente suave y agua o una solución de agua y vinagre blanco. Suciedad moderada: usar 'Bon Ami'* Descoloraciones: Limpiador de Acero Inoxidable 'Cameo'*.	Use un paño o una esponja suave. Siempre limpie siguiendo el grano del acero inoxidable. No use blanqueador con cloro ni un producto de limpieza que contenga blanqueador con cloro. Después de la limpieza, enjuague y seque. Para restaurar el brillo y quitar las vetas use el rociador para acero inoxidable 'Stainless Steel Magic Spray'* (Pieza No. 20000008).

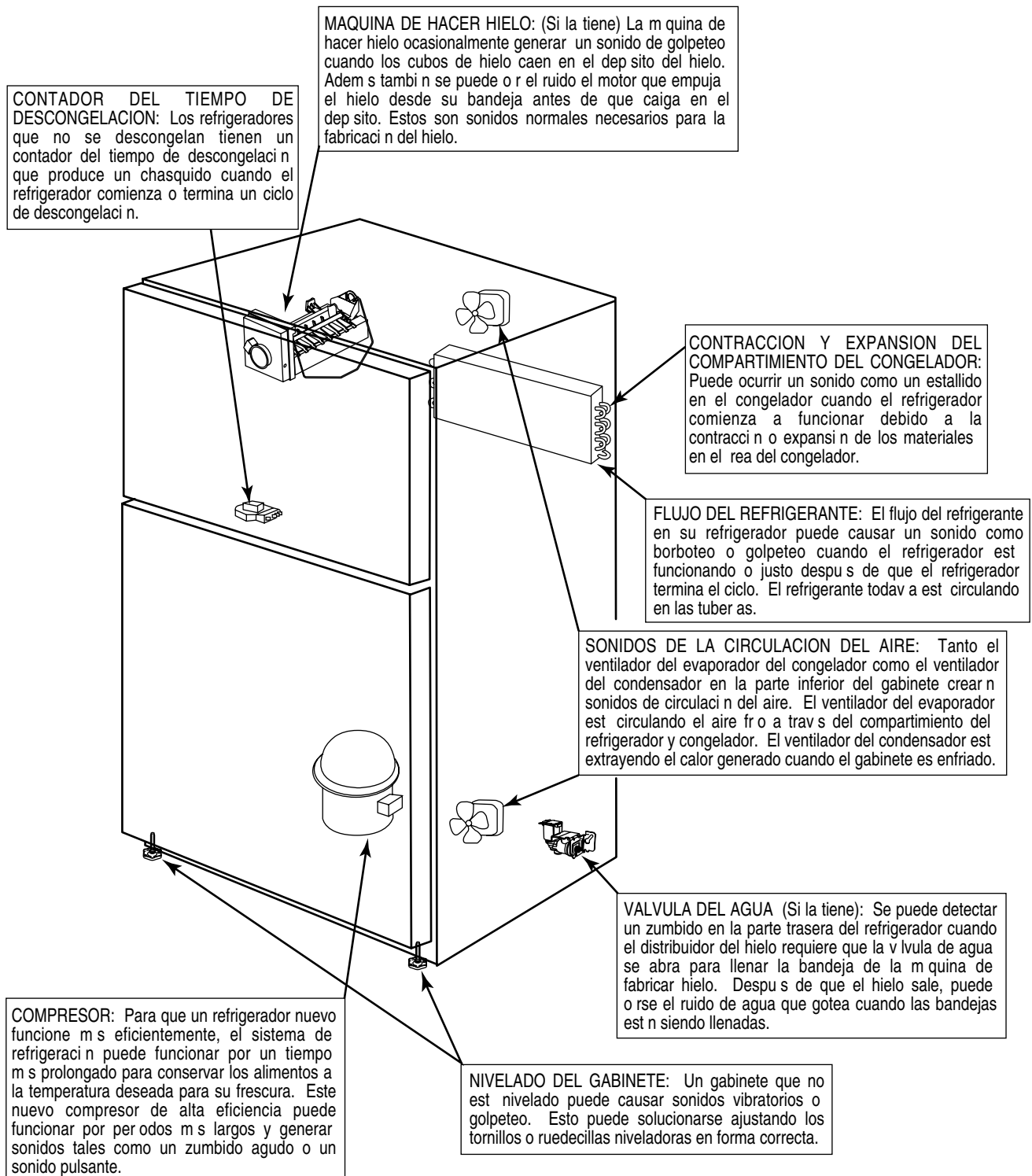
Interior del Refrigerador y del Congelador

Junta de la puerta	Bicarbonato de soda y agua tibia Detergente suave y agua tibia	Use 1 o 2 cucharadas de bicarbonato de soda por cada cuarto de galón de agua. Asegúrese de exprimir bien el paño o la esponja antes de limpiar alrededor de los controles, luces o piezas eléctricas.
Parrillas de vidrio	Detergente suave y agua tibia Limpiavidrios Detergentes líquidos suaves en aerosol	El vidrio debe estar a la temperatura ambiente antes de sumergirlo en agua tibia. Nunca use agua caliente.
Pared Interior y revestimiento de la puerta	Detergente suave y agua tibia Bicarbonato de soda y agua tibia	Vea las indicaciones anteriores para la solución de bicarbonato de soda. NO use productos de limpieza abrasivos, detergentes concentrados, blanqueadores, ceras de limpieza, solventes y abrillantadores para limpiar el interior del refrigerador.
Gavetas, depósitos, bandeja para los huevos, etc.	Detergente suave y agua tibia	Seque esmeradamente. NO los lave en el lavavajillas automático.

* Los nombres de los productos son las marcas registradas de los respectivos fabricantes.

SONIDOS NORMALES DE FUNCIONAMIENTO

Las mejoras en el diseño de la refrigeración pueden producir sonidos en su nuevo refrigerador que son diferentes o que no existían en el modelo antiguo. Estas mejoras fueron hechas para crear un refrigerador que sea mejor para conservar los alimentos, que ahorre energía y que en general sea más silencioso. Debido a que los nuevos modelos funcionan más silenciosamente, ahora es posible detectar sonidos que estaban presentes en los modelos más antiguos pero que pasaban inadvertidos debido a los niveles de ruido más altos. Muchos de estos sonidos son normales. Por favor tome nota de que las superficies adyacentes a un refrigerador, tales como las paredes, los pisos y la estantería pueden a veces aumentar el nivel de estos sonidos. A continuación se indican algunos de los sonidos normales que pueden estar presentes en un refrigerador nuevo.



ANTES DE SOLICITAR SERVICIO

Consulte primero esta tabla de sugerencias para la solución de averías...posiblemente no es necesario solicitar servicio.

	PROBLEMA	CAUSAS POSIBLES	SOLUCION
FUNCIONAMIENTO GENERAL	No funciona	El cordón eléctrico no está enchufado.	Enchufe el refrigerador en el tomacorriente.
		El tomacorriente no tiene alimentación eléctrica.	Reemplace el fusible, vuelva a poner el disyuntor.
		Control del congelador colocado en la posición "OFF" (Apagado).	Ajuste el control del congelador (ver página 37).
		El refrigerador está en descongelación automática.	Espere 25 minutos para que el ciclo de descongelación termine.
		Temperatura ambiente inferior a 55° F (13° C).	Vuelva a ubicar el refrigerador en un clima apropiado (ver instalación en la página 34).
	Funciona durante mucho tiempo, con demasiada frecuencia	Los ciclos de los refrigeradores modernos son más frecuentes para mantener temperaturas uniformes.	
		Esto es normal cuando el refrigerador es nuevo o ha sido recientemente instalado.	Espere 24 horas hasta que se enfríe completamente (ver controles de la temperatura en la página 37).
		La puerta se abre durante períodos prolongados o con mucha frecuencia.	Esto es normal. Disminuya las aperturas de la puerta.
		La puerta no queda bien cerrada.	Verifique para ver si algo está evitando que la puerta se cierre.
	La luz no trabaja	La rejilla inferior está bloqueada.	Desbloquee para que el aire tibio salga del refrigerador.
El foco se quemó.		Desenchufe el refrigerador y cambie el foco (ver página 43).	
Resplandor visible en los respiraderos del congelador	No llega energía eléctrica al refrigerador.	Verifique si el cordón eléctrico está bien enchufado.	
	La aparición de un brillo o reflejo rojo es normal durante el ciclo de descongelación.		
Aire tibio proveniente de la parte inferior del gabinete.	Este es flujo de aire normal para la circulación del condensador.		
El gabinete vibra	El gabinete no está nivelado. El suelo es débil.	Nivele el gabinete (ver página 34).	
Olor en el gabinete	Los alimentos que producen olores no están cubiertos.	Cubra o envuelva los alimentos que produzcan olor. Limpie el gabinete.	
RUIDO	Ruidos, sonidos y vibraciones	Ruido normal.	Ver Sonidos Normales de Funcionamiento en la página 45.
		El gabinete no está nivelado.	Nivele el gabinete (ver página 34).
TEMPERATURA	El congelador, refrigerador demasiado tibios (el helado helado queda blando)	Control ajustado a una temperatura demasiado tibia	Ajuste el control de la temperatura (ver página 37).
		Aperturas prolongadas de la puerta.	Reduzca la frecuencia de apertura de la puerta.
		La temperatura ambiente es inferior a 55° F (13° C).	Refrigerador no funcionará lo suficiente como para mantener la temperatura apropiada.
Congelador, refrigerador está demasiado fríos (congelación congelación de los alimentos)	Los productos con alto contenido de azúcar pueden que que no se endurezcan completamente cuando están congelados.		
		El control está en un ajuste demasiado frío.	Ajuste el control de la temperatura (ver página 37).
HIELO	La máquina de hacer hielo automática no funciona	El brazo sensor está en posición hacia arriba.	Baje el brazo sensor a la posición "ON" (Encendido).
		El gabinete no está nivelado.	Nivele el refrigerador (ver página 34).
		El suministro de agua no está conectado o está obstruido.	Conecte el suministro de agua o retire las obstrucciones.
		El congelador está demasiado tibio.	Ajuste el control de la temperatura del congelador (ver página 37).
Los cubos de hielo tienen olor/sabor	Cubos de hielo añejos.	Descártelos; los cubos de hielo pueden absorber olores que afectan también el sabor.	
	Mala calidad del agua.	Póngase en contacto con la compañía de tratamiento de agua.	
	Los alimentos transmiten olor/sabor a del hielo.	Envuelva bien los alimentos.	
Los cubos de hielo se pegan en la bandeja	Residuo de minerales en el agua.	Limpie las bandejas con un trapo humedecido en vinagre hasta que queden limpias.	
Los cubos de hielo se evaporan	Uso limitado del hielo.	Descarte los cubos de hielo añejos.	
HUMEDAD	Humedad en la superficie del gabinete entre las puertas	Es común durante períodos de alta humedad.	
	Humedad en las paredes interiores del refrigerador o en la gaveta de las verduras	Tiempo húmedo caliente.	Normal.
		Aperturas prolongadas o muy frecuentes de la puerta.	Reduzca las aperturas de la puerta.
		La puerta no está cerrada en forma correcta.	Verifique si existe algo que evite que la puerta se cierre.
		Los alimentos no envueltos en forma correcta.	Envuelva o cubra bien todos los alimentos.
	Los alimentos se secan	La gaveta de las verduras no está bien cerrada.	Cierre bien la gaveta de las verduras.
		Los controles de la temperatura están en un ajuste muy frío.	Ajuste los controles de la temperatura (ver página 37).
Los paquetes no están envueltos o sellados en forma correcta.		Envuelva o cubra bien todos los alimentos.	
Humedad excesiva en la gaveta de las verduras	Los alimentos no están envueltos en forma correcta.	Envuelva o cubra bien todos los alimentos.	
	Tiempo húmedo, caliente.	Reduzca las aperturas de la puerta.	

GARANTIA DE MAYTAG

Garantía Completa de Un Año

Durante **un (1) año** desde la fecha original de compra al por menor, se reparará o reemplazará gratuitamente cualquier pieza que falle durante el uso normal en el hogar.

Máquina para hacer hielo - cuando se compra con el refrigerador y es instalada por el distribuidor se considera parte del refrigerador para efectos de la garantía.

Garantía Limitada - Componentes Principales de Refrigeración

Desde el Segundo hasta el Quinto año - Después del primer año desde la fecha original de compra al por menor, hasta el final del quinto año, Maytag ServicesSM reparará o reemplazará, a su elección, sin costo alguno en cuanto a las piezas y mano de obra solamente, cualquier pieza del sistema de refrigeración sellado (compuesto por el compresor, evaporador, condensador, secador y tubería de conexión) y el revestimiento interior del gabinete (excluyendo el revestimiento interior de la puerta) que falle durante uso normal en el hogar. El propietario deberá pagar todos los otros costos, incluyendo el kilometraje, transporte, costo del viaje y costo del diagnóstico, si fuese necesario.

Garantía Limitada – Otras Piezas

Segundo Año - Otras piezas, que no sean los componentes de refrigeración principales, que fallen durante uso normal en el hogar durante el segundo año después de la fecha original de compra al por menor serán reparadas o reemplazadas sin costo alguno en lo que respecta a las piezas mismas y el propietario deberá pagar todos los otros costos incluyendo mano de obra, kilometraje, transporte, costo del viaje y costo del diagnóstico, si fuese necesario.

Sírvase tomar nota: La garantía completa y las garantías limitadas son aplicables cuando el refrigerador se encuentra en los Estados Unidos o Canadá. Los refrigeradores que se encuentren en cualquier otro lugar están cubiertos por garantía limitadas que incluyen solamente las piezas que fallen durante el primer año.

Limitaciones de la Responsabilidad

El garante no será responsable por ningún daño incidental o consecuente, incluyendo pérdida de alimentos. En algunos estados no se permite la exclusión o limitación de daños consecuentes, por lo tanto la limitación o exclusión anterior puede no aplicarse en su caso.

*Las garantías específicas expresadas anteriormente son las **UNICAS** garantías ofrecidas por el fabricante. Estas garantías le confieren derechos legales específicos, pudiendo también tener otros derechos que varían de un estado a otro.*

LO QUE NO CUBREN ESTAS GARANTÍAS:

1. Situaciones y daños resultantes de cualquiera de las siguientes eventualidades:
 - a. Instalación, entrega o mantenimiento inapropiados.
 - b. Cualquier reparación, modificación, alteración o ajuste no autorizado por el fabricante o por un centro de servicio autorizado.
 - c. Mal uso, abuso, accidentes o uso irrazonable.
 - d. Corriente eléctrica, voltaje o suministro incorrecto.
 - e. Programación incorrecta de cualquiera de los controles.
2. Las garantías quedan nulas si los números de serie originales han sido retirados, alterados o no son fácilmente legibles.
3. Focos.
4. Productos comprados para uso comercial o industrial.
5. El costo del servicio o llamada de servicio para:
 - a. Corregir errores de instalación.
 - b. Instruir al usuario sobre el uso correcto del artefacto.
 - c. Transporte del artefacto al establecimiento de servicio.
6. Los daños consecuentes o incidentales sufridos por cualquier persona como resultado del incumplimiento de esta garantía. En algunos estados no se permite la exclusión o limitación de daños consecuentes o incidentales, por lo tanto la limitación o exclusión anterior puede no aplicarse en su caso.

Para comprar los accesorios o los repuestos no cubiertos por la garantía del producto:

Por favor tenga disponible el número de modelo y el número de serie y llame a nuestros especialistas en repuestos al 1-877-232-6771 en EE.UU. de Lunes a Viernes desde las 7:00 a.m. a las 7:00 p.m., Hora Central. Fuera de los E.E.U.U., entre en contacto con a su distribuidor local de la aplicación o parte la distribuidor.

SI NECESITA SERVICIO

- Llame al distribuidor donde compró su electrodoméstico o llame a Maytag ServicesSM, Maytag Customer Assistance al 1-800-688-9900, EE.UU. o al 1-800-688-2002 Canadá para ubicar un servicio de reparaciones autorizado.
- Asegúrese de conservar el comprobante de compra para verificar el estado de la garantía. Consulte la sección sobre la GARANTIA para mayor información sobre las responsabilidades del propietario para servicio bajo la garantía.
- Si el distribuidor o la compañía de servicio no pueden resolver el problema, escriba a Maytag ServicesSM, Attn: CAIR®, Center, P.O. Box 2370, Cleveland, TN 37320-2370 o llame al **1-800-688-9900, EE.UU. o al 1-800-688-2002, Canadá.**

Los clientes de EE.UU. que usan TTY para personas con impedimentos auditivos o del habla deben llamar al 1-800-688-2080.

NOTA: Cuando llame o escriba acerca de un problema de servicio, por favor incluya la siguiente información.

- a. Su nombre, dirección y número de teléfono;
 - b. Número de modelo y número de serie;
 - c. Nombre y dirección de su distribuidor o técnico de servicio;
 - d. Una descripción clara del problema que está experimentando;
 - e. Comprobante de compra (recibo de compra).
- Las guías del usuario, manuales de servicio e información sobre las piezas pueden solicitarse a Maytag ServicesSM, Maytag Customer Assistance.

MAYTAG • 403 West Fourth Street North • P.O. Box 39 • Newton, Iowa 50208